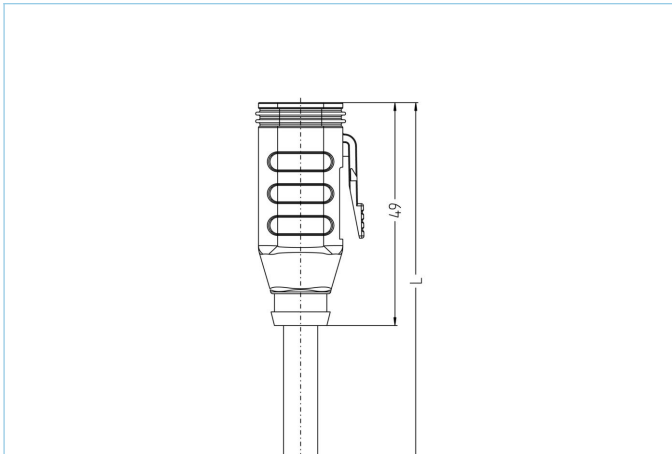


ET, female, straight, 6 poles, ET, female, straight, 6 poles, Mobile Automation



Product data

| | |
|--------------------|------------------------------|
| Item description | MA-ET06-6S-m-MA-ET06-6S/S370 |
| Item-No. | V0011213 |
| Länge | on demand |
| Customs tariff-No. | 85444290 |
| Step-File | MA-ET06-6S-m-MA-ET06-6S.stp |

| Technical data | A-side | B-side |
|--------------------------------|------------------------------------|------------------------------------|
| Connector | female, straight, ET | female, straight, ET |
| Number of pins | 6 | 6 |
| Pin assignment | 1 BN, 2 BU, 3 BK, 4 WH, 5 GY, 6 PK | 1 BN, 2 BU, 3 BK, 4 WH, 5 GY, 6 PK |
| Rated voltage | 250V | 250V |
| Current load (at 40°C) | 7.5A | 7.5A |
| Insulation resistance | $\geq 10^9 \Omega$ | $\geq 10^9 \Omega$ |
| Ambient temperature product | -40°C...+90°C | -40°C...+90°C |
| Contact material | Metal, CuZn, nickel-plated | Metal, CuZn, nickel-plated |
| Grip body material | Plastic, TPU, BK | Plastic, TPU, BK |
| Locking | Snap lock | Snap lock |
| Sealing (female) material | silicone | silicone |
| Degree of protection (mounted) | IP67, IP68, IP69K | IP67, IP68, IP69K |
| Mechanical life-cycle | >100 mating cycles | >100 mating cycles |
| Degree of pollution | 3 | 3 |

Cable web
PUR, UL, S370

Flexible, silicone- and halogen-free control line with high mechanical strength. The cable is chemicals, hydrolysis-, and microbes- resistant. The drag-chain application is possible at a bending radius of minimum 10 x d. Due to its weld-field immunity, the cable is very well suited for the flexible application in robotics, machine-tool, and metal-cutting production. The cables meet the UL and CSA (UL10493/20549; cULus) requirements.

| | |
|--------------------------------|--|
| Outer diameter of jacket | 7.30 mm |
| Cable-jacket material | PUR |
| Jacket color | BK, similar RAL9005 |
| Wire cross-section | 6 x 0.75 mm ² |
| Wire insulation material | PP |
| Wire colors | BN, BU, BK, WH, GY, PK |
| Wire structure | 42 x 0,15 mm |
| Bending radius (fixed) | 5 x Ø-cable |
| Bending radius (repeated) | 10 x Ø-cable |
| Temperature range (repeated) | -30°C...+90°C |
| Temperature range (fixed) | -40°C...+90°C |
| Temperature range (drag chain) | -25°C...+60°C |
| Drag chain-application | 2 Mio. cycles |
| Halogen-free | Yes |
| Torsion | +/-180°/m, ≥ 500.000 cycles |
| Rated voltage cable | ≤300 V |
| Special features | flame retardant, halogen free, hydrolysis proof, LABS free, oil resistant, ozone resistant, recyclable, RoHs compliant, acid- and alkali resistant, drag chain-adapted, welding sparks resistant, seawater resistant, silicone free, torsion resistant, UV resistant |

Accessories
Marking rings Ø 9mm
<https://www.escha.net/en/products/standard/accessories-for-connectivity?p=1&o=3&n=15&f=809>