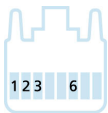
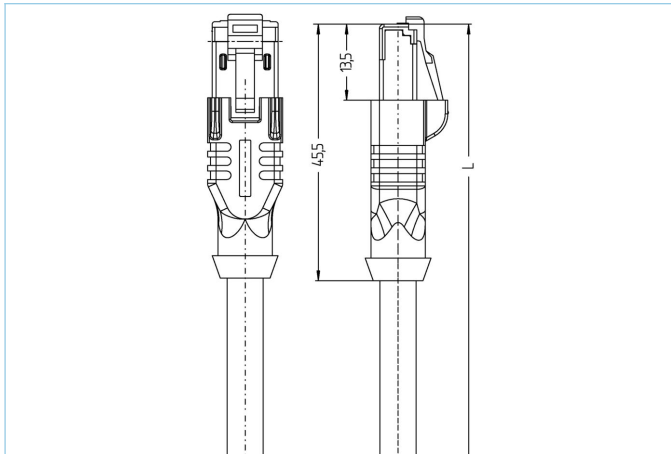


RJ45, male, straight, 8 poles, RJ45, male, straight, 8 poles, shielded, Industrial Ethernet 100 MBit/s



EtherCAT



Product data

| | |
|--------------------|---------------------------------------|
| Item description | IE-RJ45SS8.003-m-IE-RJ45SS8.003/S1329 |
| Item-No. | V0010260 |
| Länge | on demand |
| Customs tariff-No. | 85444290 |
| Step-File | IE-RJ45SS8-m-IE-RJ45SS8.stp |

Technical data

| | A-side | B-side |
|--------------------------------|----------------------------|----------------------------|
| Connector | male, straight, RJ45 | male, straight, RJ45 |
| Number of pins | 8 | 8 |
| Pin assignment | 1 YE, 2 OG, 3 WH, 6 BU | 1 YE, 2 OG, 3 WH, 6 BU |
| Allocation | Industrial | Industrial |
| Rated voltage | 60V | 60V |
| Current load (at 40°C) | 1A | 1A |
| Insulation resistance | ≥10 ⁹ Ω | ≥10 ⁹ Ω |
| Transmission features | Cat5e | Cat5e |
| Ambient temperature product | -40°C...+70°C | -40°C...+70°C |
| Contact material | Metal, CuZn, gold-plated | Metal, CuZn, gold-plated |
| Contact-carrier material | Plastic | Plastic |
| Grip body material | Plastic, TPU, BK | Plastic, TPU, BK |
| Shielding | with shielding | with shielding |
| Material of shielding housing | Metal, CuZn, nickel-plated | Metal, CuZn, nickel-plated |
| Standards | IEC 60603-7-5 | IEC 60603-7-5 |
| Degree of protection (mounted) | IP20 | IP20 |
| Mechanical life-cycle | >1000 mating cycles | >1000 mating cycles |
| Degree of pollution | 1 | 1 |

Advanced technical data UL

| | |
|---------------|------|
| Rated voltage | 50V |
| Rated current | 1,0A |

| | |
|------------------|--|
| Cable web | Cat5e, PUR, UL, S1329, EtherCAT |
|------------------|--|

Shielded PUR Ethernet-cable for industrial applications. Fits to real-time requirements according to IEC61158. The cable meets the UL-Style 21815 (80°/300V)- and the Cat5e (electrical properties according to EN50288-2-2) requirements. Materials and a constructive setup for increased mechanical stresses (abrasion, bending, vibrations etc.) of the cable. Drag-chain/torsion operations are possible. High tensile strength through incorporated Kevlar-strands.

| | |
|--------------------------------|---|
| Outer diameter of jacket | 4.65 mm |
| Cable-jacket material | PUR |
| Jacket color | YE, similar RAL 1021 |
| Wire cross-section | 1 x 4 x AWG26, star quad |
| Wire insulation material | PP |
| Wire colors | OG, WH, BU, YE |
| Wire structure | 19 x 0.15 mm |
| Bending radius (repeated) | 8 x Ø-cable |
| Temperature range (repeated) | -30°C...+70°C |
| Temperature range (fixed) | -40°C...+80°C |
| Temperature range (drag chain) | -20°C...+60°C |
| Halogen-free | Yes |
| Transmission features | Cat5e |
| Rated voltage cable | 300 V UL rating |
| Special features | halogen free, high flexibility, hydrolysis proof, LABS free, microbes resistant, oil resistant, ozone resistant, recyclable, RoHs compliant, acid- and alkali resistant, drag chain-adapted, seawater resistant, UV resistant |

| | |
|-----------------------|--|
| Classification | |
|-----------------------|--|

| | |
|------------|----------|
| eCl@ss 6.0 | 27061801 |
| eCl@ss 7.0 | 27060308 |
| eCl@ss 8.0 | 27060308 |
| eCl@ss 9.0 | 27060308 |
| ETIM 5.0 | EC002599 |
| ETIM 6.0 | EC002599 |

| |
|--------------------|
| Accessories |
|--------------------|

Unlocking clip for RJ45

<https://www.escha.net/en/products/standard/accessories-for-connectivity?p=1&o=3&n=15&f=807>