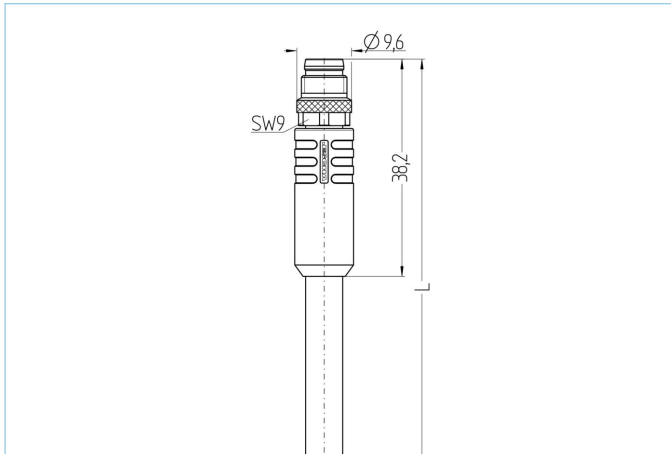


## M8, male, straight, 4 poles, D-coded, shielded, Industrial Ethernet



PROFI  
NET



### Product data

|                    |                       |
|--------------------|-----------------------|
| Item description   | IE-SSPSD4.073-m/S5200 |
| Item-No.           | V0009960              |
| Länge              | on demand             |
| Customs tariff-No. | 85444290              |
| Step-File          | IE-SSPSD4-m_S2171.stp |

### Technical data

|                                |                                       |
|--------------------------------|---------------------------------------|
| Connector                      | male, straight, M8                    |
| Number of pins                 | 4                                     |
| Pin assignment                 | 1 YE, 2 WH, 3 OG, 4 BU                |
| Coding                         | D                                     |
| Rated voltage                  | 50V <sub>AC</sub>   60V <sub>DC</sub> |
| Current load per pin (at 40°C) | 4A                                    |
| Insulation resistance          | ≥10 <sup>9</sup> Ω                    |
| Resistance                     | ≤ 5mΩ                                 |
| Transmission features          | Cat5e                                 |
| Ambient temperature product    | -30°C...+90°C                         |
| Contact material               | Metal, CuZn, gold-plated              |
| Contact-carrier material       | Plastic, PA, BK                       |
| Grip body material             | Plastic, TPU, BK                      |
| Coupling nut material          | Metal, CuZn, nickel-plated            |
| Shielding                      | with shielding                        |
| Standards                      | IEC 61076-2-114                       |
| Degree of protection (mounted) | IP65, IP67, IP68                      |
| Mechanical life-cycle          | >100 mating cycles                    |
| Cable end assembly             | open cable end                        |
| Degree of pollution            | 3                                     |
| Style                          | straight                              |

|                  |  |
|------------------|--|
| <b>Cable web</b> | <b>Cat5e, PVC, UL, S5200, PROFINET</b> |
|------------------|--|

Shielded, PVC-cable for industrial applications. The cable is AWM-Style 21694 verified or meets the Cat5e (electrical properties of EN 50288-2-1) requirements.

|                              |   |
|------------------------------|---|
| Outer diameter of jacket     | 6.50 mm   |
| Cable-jacket material        | PVC   |
| Jacket color                 | GN, similar RAL6018   |
| Wire cross-section           | 1 x 4 x AWG22, star quad  |
| Wire insulation material     | PVC   |
| Wire colors                  | WH, BU, OG, YE  |
| Wire structure               | 7 x 0.25 mm   |
| Bending radius (fixed)       | 3 x Ø-cable   |
| Bending radius (repeated)    | 7 x Ø-cable   |
| Temperature range (repeated) | -40°C...+80°C   |
| Temperature range (fixed)    | -20°C...+60°C   |
| Shielding                    | with shielding  |
| Halogen-free                 | No  |
| UL AWM style                 | UL AWM 21694  |
| Transmission features        | Cat5e   |
| Rated voltage cable          | 600 V UL rating   |
| Special features             | flame retardant, high flexibility, microbes resistant, oil resistant, oil- and fuel resistant, ozone resistant, PROFINET Type B, recyclable, RoHs compliant, acid- and alkali resistant, seawater resistant, UV resistant |

|                       |  |
|-----------------------|--|
| <b>Classification</b> |  |
|-----------------------|--|

|            |          |
|------------|----------|
| eCl@ss 6.0 | 27060307 |
| eCl@ss 7.0 | 27060307 |
| eCl@ss 8.0 | 27060307 |
| eCl@ss 9.0 | 27060307 |
| ETIM 5.0   | EC000830 |
| ETIM 6.0   | EC000830 |

|                    |
|--------------------|
| <b>Accessories</b> |
|--------------------|

Mounting-clip, M8  
<https://www.escha.net/en/products/standard/accessories-for-connectivity/8047658>

Torque-wrench set  
<https://www.escha.net/en/products/standard/accessories-for-connectivity/8055431>

Marking rings Ø 9mm  
<https://www.escha.net/en/products/standard/accessories-for-connectivity?p=1&o=3&n=15&f=809>

Screw cap, M8  
<https://www.escha.net/en/products/standard/accessories-for-connectivity/8081761>

Cable Stripping Tool  
<https://www.escha.net/en/products/standard/accessories-for-connectivity/8066215>

Cable Stripping Tool  
<https://www.escha.net/en/products/standard/accessories-for-connectivity/8066216>