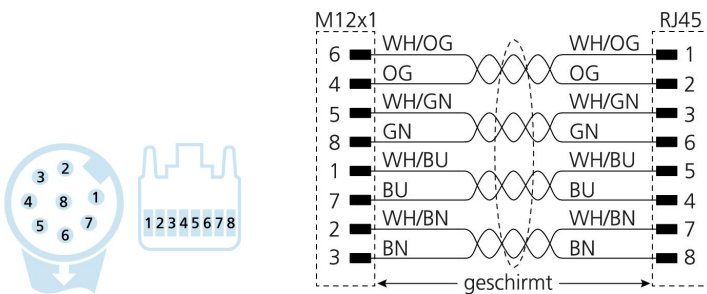
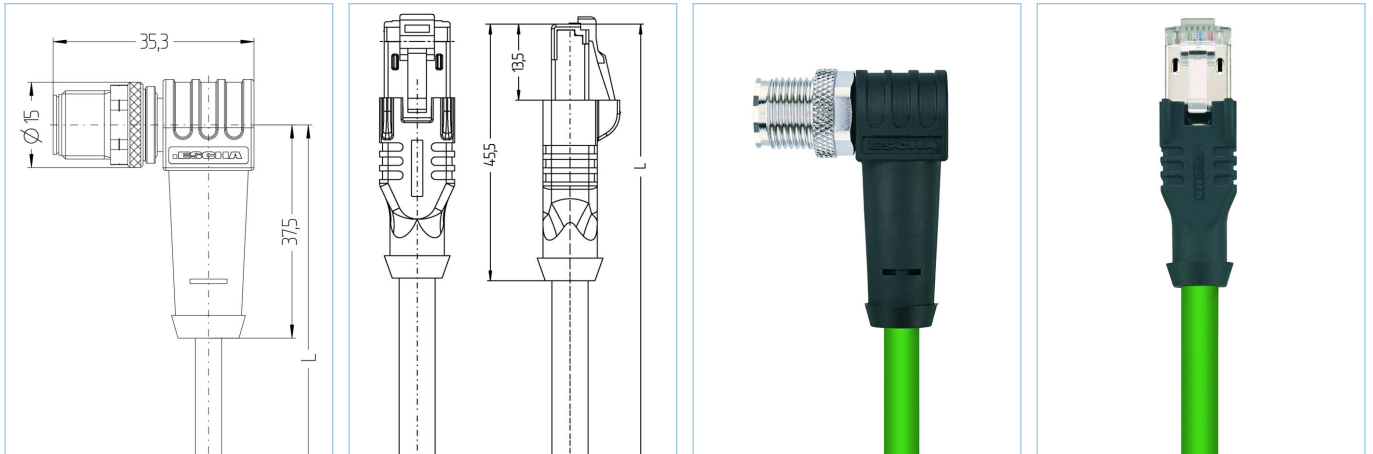


M12, male, angled, 8 poles, RJ45, male, straight, 8 poles, shielded, sensor-/actuator cable



Product data

| | |
|--------------------|-----------------------------------|
| Item description | AL-WWASS8.088-m-RJ45SS8.002/S3500 |
| Item-No. | V0006017 |
| Länge | on demand |
| Customs tariff-No. | 85444290 |

| Technical data | A-side | B-side |
|--------------------------------|---|--|
| Connector | male, angled, M12 | male, straight, RJ45 |
| Number of pins | 8 | 8 |
| Pin assignment | 1 WH/BU, 2 WH/BN, 3 BN, 4 OG, 5 WH/GN, 6 WH/OG 7 BU, 8 GN | 1 WH/OG, 2 OG, 3 WH/GN, 4 BU, 5 WH/BU, 6 GN, 7 WH/BU, 8 BN |
| Allocation | | T568B |
| Coding of | A | |
| Rated voltage | 30V | 50V |
| Current load (at 40°C) | 2A | 1A |
| Insulation resistance | $\geq 10^9 \Omega$ | $\geq 10^9 \Omega$ |
| Resistance | $\leq 5 m\Omega$ | $\leq 5 m\Omega$ |
| Ambient temperature product | -30°C...+90°C | -40°C...+70°C |
| Contact material | Metal, CuZn, gold-plated | Metal, CuZn, gold-plated |
| Contact-carrier material | Plastic, TPU, BK | Plastic |
| Grip body material | Plastic, TPU, BK | Plastic, TPE, BK |
| Coupling nut material | Metal, CuZn, nickel-plated | |
| Shielding | with shielding | with shielding |
| Material of shielding housing | | Metal, CuZn, nickel-plated |
| Standards | IEC 61076-2-101 | IEC 60603-7-5 |
| Degree of protection (mounted) | IP65, IP67, IP68 | IP20 |
| Mechanical life-cycle | >100 mating cycles | >750 mating cycles |
| Degree of pollution | 1 | 3 |

Cable web Cat7, PUR, UL, S3500

Shielded PUR-cable for industrial applications. The cable meets the UL-Style 20963 and the Cat7 (electrical properties according to EN50288-4-2) requirements. Materials and a constructive setup allow for increased mechanical stresses (abrasion, bending, vibrations etc.) of the cable.

| | |
|------------------------------|---|
| Outer diameter of jacket | 6.40 mm |
| Cable-jacket material | PUR |
| Jacket color | GN, similar RAL6018 |
| Wire cross-section | 4 x 2 x 0.14 mm ² |
| Wire insulation material | PE |
| Wire colors | WH/OG ; WH/GN ; WH/BN ; WH/BU |
| Wire structure | 7 x 0.16 mm |
| Bending radius (fixed) | 5 x Ø-cable |
| Bending radius (repeated) | 10 x Ø-cable |
| Temperature range (repeated) | -20°C...+60°C |
| Temperature range (fixed) | -40°C...+80°C |
| Shielding | Yes |
| Halogen-free | Yes |
| Transmission features | Cat7 |
| Rated voltage cable | 30 V UL rating |
| Special features | halogen free, high flexibility, hydrolysis proof, no fire propagation, no corrosive gases, LABS free, microbes resistant, oil resistant, recyclable, RoHS compliant, acid- and alkali resistant, seawater resistant, UV resistant |

Accessories
Torque-wrench set

<https://www.escha.net/en/products/standard/accessories-for-connectivity/8055431>

Marking rings Ø 9mm

<https://www.escha.net/en/products/standard/accessories-for-connectivity?p=1&o=3&n=15&f=809>

Screw cap, M12

<https://www.escha.net/en/products/standard/accessories-for-connectivity?p=1&o=3&n=15&f=811>

Unlocking clip for RJ45

<https://www.escha.net/en/products/standard/accessories-for-connectivity?p=1&o=3&n=15&f=807>