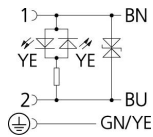
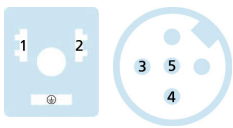
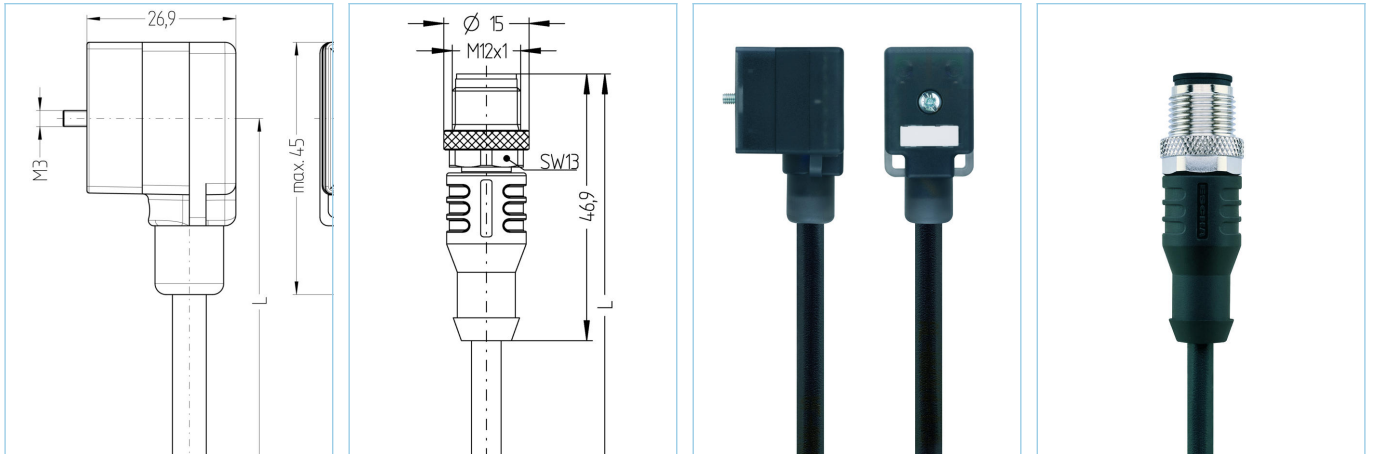


Valve connector, housing style B, 2+PE, M12, male, straight, 4+PE, suppressor diode



**Product data**

|                    |                              |
|--------------------|------------------------------|
| Item description   | TB21-24.3-m-AL-WAS5.002/S370 |
| Item-No.           | V0004779                     |
| Länge              | on demand                    |
| Customs tariff-No. | 85444290                     |

**Technical data**

|                                | A-side                        | B-side                     |
|--------------------------------|-------------------------------|----------------------------|
| Connector                      | female, angled, Valve B       | male, straight, M12        |
| Number of pins                 | 2+PE                          | 4+PE                       |
| Pin assignment                 | 1 BN, 2 BU, PE: GN/YE         | 3 BU, 4 BN, 5 GN/YE        |
| Coding of                      |                               | A                          |
| Rated voltage                  | 30V <sub>AC/DC</sub>          | 60V                        |
| Current load (at 40°C)         | 4A                            | 4A                         |
| Insulation resistance          | ≥10 <sup>9</sup> Ω            | ≥10 <sup>9</sup> Ω         |
| Ambient temperature product    | -30°C...+90°C                 | -30°C...+90°C              |
| Contact material               | Metal, CuZn, silver-plated    | Metal, CuSn, gold-plated   |
| Contact-carrier material       | Plastic, PA, BK               | Plastic, TPU, BK           |
| Grip body material             | Plastic, TPU, BK, translucent | Plastic, TPU, BK           |
| Coupling nut material          |                               | Metal, CuZn, nickel-plated |
| Sealing (female) material      | Plastic, TPU                  |                            |
| Signal status-indicator        | LED YE                        |                            |
| Protection circuit             | Suppressor diode              |                            |
| Fixing screw                   | Metal, CuZn, nickel-plated    |                            |
| Housing style                  | B                             |                            |
| Standards                      | DIN EN 175301-803             | IEC 61076-2-101            |
| Degree of protection (mounted) | IP65, IP67, IP68              | IP65, IP67, IP68           |
| Mechanical life-cycle          | >100 mating cycles            | >100 mating cycles         |
| Degree of pollution            | 3                             | 3                          |

**Cable web** PUR, UL, S370

Flexible, silicone- and halogen-free control line with high mechanical strength. The cable is chemicals, hydrolysis-, and microbes- resistant. The drag-chain application is possible at a bending radius of minimum 10 x d. Due to its weld-field immunity, the cable is very well suited for the flexible application in robotics, machine-tool, and metal-cutting production. The cables meet the UL and CSA (UL10493/20549; cULus) requirements.

|                                |  |
|--------------------------------|--|
| Outer diameter of jacket       | 5.20 mm  |
| Cable-jacket material          | PUR  |
| Jacket color                   | BK, similar RAL9005  |
| Wire cross-section             | 5 x 0.34 mm <sup>2</sup>   |
| Wire insulation material       | PP   |
| Wire colors                    | BN, WH, BU, BK, GNYE   |
| Wire structure                 | 42 x 0.10 mm   |
| Bending radius (fixed)         | 5 x Ø-cable  |
| Bending radius (repeated)      | 10 x Ø-cable   |
| Temperature range (repeated)   | -30°C...+90°C  |
| Temperature range (fixed)      | -40°C...+90°C  |
| Temperature range (drag chain) | -25°C...+60°C  |
| Drag chain-application         | 3 Mio. cycles  |
| Halogen-free                   | Yes  |
| Torsion                        | +/-180°/m, < 1 Mio. cycles   |
| Rated voltage cable            | ≤300 V   |
| Special features               | flame retardant, halogen free, hydrolysis proof, LABS free, oil resistant, ozone resistant, recyclable, RoHs compliant, acid- and alkali resistant, drag chain-adapted, welding sparks resistant, seawater resistant, silicone free, torsion resistant, UV resistant |

**Accessories**

Labels, Valve connector

<https://www.escha.net/en/products/standard/accessories-for-connectivity/8047109>