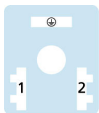
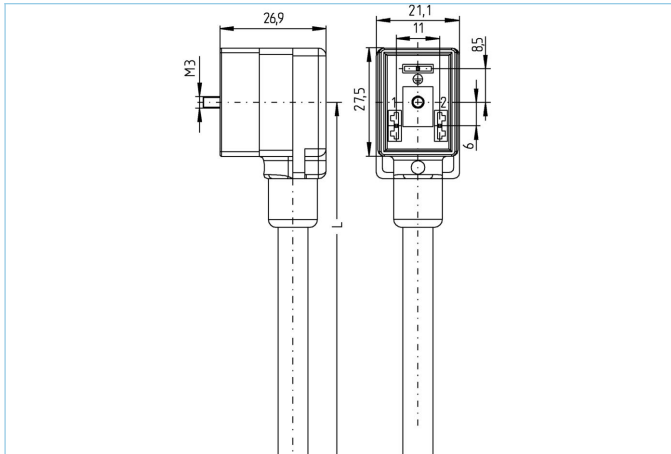


## Valve connector, housing style BI, 2+PE, sensor-/actuator cable



- 1 > BN
- 2 > BU
- ⊕ > GN/YE



### Product data

|                    |                   |
|--------------------|-------------------|
| Item description   | VBI21-230.0-m/P01 |
| Item-No.           | V0003190          |
| Länge              | on demand         |
| Customs tariff-No. | 85444290          |
| Step-File          | VBI21.stp         |

### Technical data

|                                |                            |
|--------------------------------|----------------------------|
| Connector                      | female, angled, Valve BI   |
| Number of pins                 | 2+PE                       |
| Pin assignment                 | 1 BN, 2 BU, PE: GNYE       |
| Rated voltage                  | 230V <sub>AC/DC</sub>      |
| Current load per pin (at 40°C) | 10A                        |
| Insulation resistance          | ≥10 <sup>9</sup> Ω         |
| Ambient temperature product    | -30°C...+90°C              |
| Contact material               | Metal, CuZn, silver-plated |
| Contact-carrier material       | Plastic, PA, BK            |
| Grip body material             | Plastic, TPU, BK           |
| Sealing (female) material      | Plastic, TPU               |
| Protection circuit             | without                    |
| Fixing screw                   | Metal, CuZn, nickel-plated |
| Housing style                  | BI                         |
| Standards                      | DIN EN 175301-803          |
| Degree of protection (mounted) | IP65, IP67, IP68           |
| Mechanical life-cycle          | >100 mating cycles         |
| Degree of pollution            | 3                          |
| Style                          | angled                     |

|                  |                         |
|------------------|-------------------------|
| <b>Cable web</b> | <b>PVC, UL, P01, GY</b> |
|------------------|-------------------------|

PVC-cable for measurement and control-, and sensor technology. Suitable for applications in dry areas on packaging machines, assembly- and conveyor technology. High flexibility with unstressed movement (conditional drag-chain application possible). Predestined for applications in food- and beverage industry. P01-cables meet the UL and CSA (UL1729/2464; cULus) requirements.

|                              |  |
|------------------------------|--|
| Outer diameter of jacket     | 6.10 +/- 0.2 mm  |
| Cable-jacket material        | PVC  |
| Jacket color                 | GY, similar RAL7040  |
| Wire cross-section           | 3 x 0.75 mm <sup>2</sup>   |
| Wire insulation material     | PVC  |
| Wire colors                  | BN, BU, GNYE   |
| Wire structure               | 24 x 0,20 mm   |
| Bending radius (fixed)       | 5 x Ø-cable  |
| Bending radius (repeated)    | 10 x Ø-cable   |
| Temperature range (repeated) | 0°C...+80°C  |
| Temperature range (fixed)    | -25°C...+80°C  |
| Rated voltage cable          | ≤300 V   |
| Special features             | good resistance against oils and chemicals, LABS free, ozone resistant, recyclable, RoHs compliant, acid- and alkali resistant, seawater resistant, UV resistant |

|                       |  |
|-----------------------|--|
| <b>Classification</b> |  |
|-----------------------|--|

|            |          |
|------------|----------|
| eCl@ss 6.0 | 27279218 |
| eCl@ss 7.0 | 27279218 |
| eCl@ss 8.0 | 27279218 |
| eCl@ss 9.0 | 27060312 |
| ETIM 5.0   | EC001855 |
| ETIM 6.0   | EC001855 |

|                    |
|--------------------|
| <b>Accessories</b> |
|--------------------|

Labels, Valve connector  
<https://www.escha.net/en/products/standard/accessories-for-connectivity/8047109>

Fixing screw  
<https://www.escha.net/en/products/standard/accessories-for-connectivity/8060907>