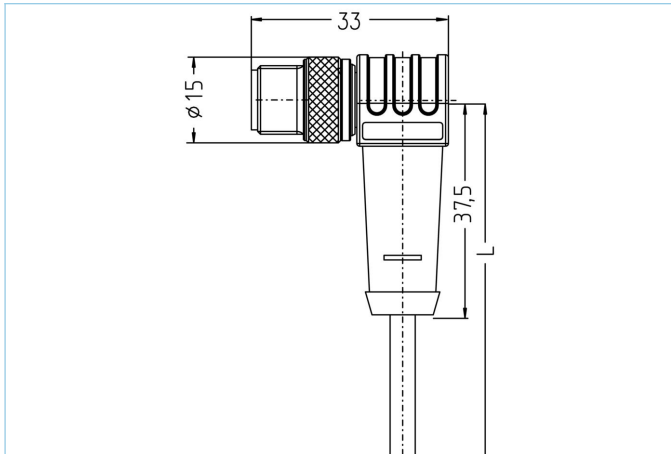


M12, male, angled, 4 poles, sensor-/actuator cable, high-temperature



| Product data | |
|--------------------------------|----------------------------|
| Item description | HT-WWAS4-m/S2430 |
| Item-No. | V0002392 |
| Länge | on demand |
| Customs tariff-No. | 85444290 |
| Step-File | HT-WWAS4.stp |
| Technical data | |
| Connector | male, angled, M12 |
| Number of pins | 4 |
| Pin assignment | 1 BN, 2 WH, 3 BU, 4 BK |
| Coding | A |
| Rated voltage | 250V |
| Current load per pin (at 40°C) | 4A |
| Insulation resistance | $\geq 10^9 \Omega$ |
| Ambient temperature product | -20°C...+150°C |
| Contact material | Metal, CuZn, gold-plated |
| Contact-carrier material | Plastic, PBT GF, BK |
| Grip body material | Plastic, PBT GF, BK |
| Coupling nut material | Metal, CuZn, nickel-plated |
| Standards | IEC 61076-2-101 |
| Degree of protection (mounted) | IP65 |
| Mechanical life-cycle | >100 mating cycles |
| Cable end assembly | 50mm stripped |
| Degree of pollution | 3 |
| Style | angled |

| | |
|------------------|-------------------------------|
| Cable web | PTFE, S2430, high temp |
|------------------|-------------------------------|

The thermal resistance of this high-temperature cable extends from -190°C to +260°C. In addition, it stands out through a very good chemical strength, as well as its ozone- and weather resistance.

| | |
|---------------------------|---|
| Outer diameter of jacket | 3.80 mm |
| Cable-jacket material | PTFE |
| Jacket color | WH, similar RAL9003 |
| Wire cross-section | 5 x AWG22 |
| Wire insulation material | PTFE |
| Wire colors | BN, WH, BU, BK, GY |
| Wire structure | 7 x 0.254 mm |
| Bending radius (fixed) | 5 x Ø-cable |
| Bending radius (repeated) | 10 x Ø-cable |
| Temperature range (fixed) | -190°C...+260°C |
| Rated voltage cable | ≤250 V |
| Special features | low emission of smoke, excellent chemicals resistance, hydrolysis proof, LABS free, non-flammable, ozone resistant, RoHs compliant, seawater resistant, UV resistant, flexibility at low temperature, flexible at high temperatures |

| | |
|-----------------------|--|
| Classification | |
|-----------------------|--|

| | |
|------------|----------|
| eCl@ss 6.0 | 27279218 |
| eCl@ss 7.0 | 27279218 |
| eCl@ss 8.0 | 27279218 |
| eCl@ss 9.0 | 27060311 |
| ETIM 5.0 | EC001855 |
| ETIM 6.0 | EC001855 |

| |
|--------------------|
| Accessories |
|--------------------|

Mounting-set, M12
<https://www.escha.net/en/products/standard/accessories-for-connectivity/8047664>

Torque-wrench set
<https://www.escha.net/en/products/standard/accessories-for-connectivity/8055431>

Marking rings Ø 9mm
<https://www.escha.net/en/products/standard/accessories-for-connectivity?p=1&o=3&n=15&f=809>

Cable Stripping Tool
<https://www.escha.net/en/products/standard/accessories-for-connectivity/8066215>

Cable Stripping Tool
<https://www.escha.net/en/products/standard/accessories-for-connectivity/8066216>