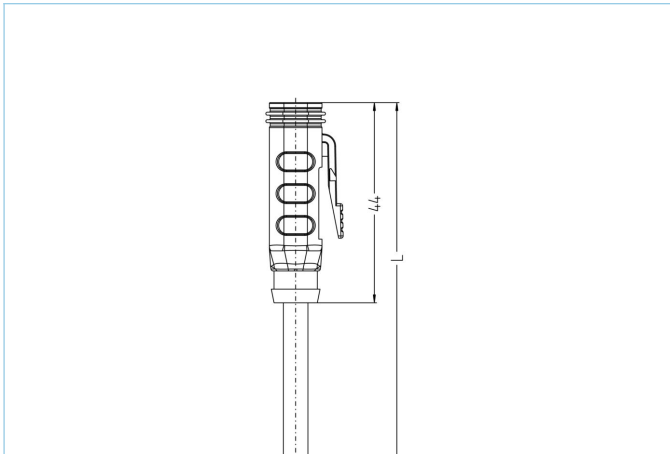


## ET, female, straight, 2 poles, Mobile Automation



2 1



### Product data

|                    |                   |
|--------------------|-------------------|
| Item description   | MA-ET06-2S-3/S370 |
| Item-No.           | 8116419           |
| Length             | 3m                |
| Customs tariff-No. | 85444290          |
| Step-File          | MA-ET06-2S-m.stp  |
| EAN                | 4047106322595     |

### Technical data

|                                |                            |
|--------------------------------|----------------------------|
| Connector                      | female, straight, ET       |
| Number of pins                 | 2                          |
| Pin assignment                 | 1 BN, 2 BU                 |
| Rated voltage                  | 250V                       |
| Current load per pin (at 40°C) | 7.5A                       |
| Insulation resistance          | $\geq 10^9 \Omega$         |
| Ambient temperature product    | -40°C...+90°C              |
| Contact material               | Metal, CuZn, nickel-plated |
| Grip body material             | Plastic, TPU, BK           |
| Sealing (female) material      | silicone                   |
| Locking                        | Snap lock                  |
| Degree of protection (mounted) | IP67, IP68, IP69           |
| Mechanical life-cycle          | >100 mating cycles         |
| Cable end assembly             | open cable end             |
| Degree of pollution            | 3                          |
| Style                          | straight                   |

|                  |                      |
|------------------|----------------------|
| <b>Cable web</b> | <b>PUR, UL, S370</b> |
|------------------|----------------------|

Flexible, silicone- and halogen-free control line with high mechanical strength. The cable is chemicals, hydrolysis-, and microbes- resistant. The drag-chain application is possible at a bending radius of minimum 10 x d. Due to its weld-field immunity, the cable is very well suited for the flexible application in robotics, machine-tool, and metal-cutting production. The cables meet the UL and CSA (UL10493/20549; cULus) requirements.

|                                |  |
|--------------------------------|--|
| Outer diameter of jacket       | 5.40 mm  |
| Cable-jacket material          | PUR  |
| Jacket color                   | BK, similar RAL9005  |
| Wire cross-section             | 2 x 0.75 mm <sup>2</sup>   |
| Wire insulation material       | PP   |
| Wire colors                    | BN, BU   |
| Wire structure                 | 42 x 0,15 mm   |
| Bending radius (fixed)         | 5 x Ø-cable  |
| Bending radius (repeated)      | 10 x Ø-cable   |
| Temperature range (repeated)   | -30°C...+90°C  |
| Temperature range (fixed)      | -40°C...+90°C  |
| Temperature range (drag chain) | -25°C...+60°C  |
| Drag chain-application         | 2 Mio. cycles  |
| Halogen-free                   | Yes  |
| Torsion                        | +/-180°/m, ≥ 500.000 cycles  |
| Rated voltage cable            | ≤300 V   |
| Special features               | flame retardant, halogen free, hydrolysis proof, LABS free, oil resistant, ozone resistant, recyclable, RoHs compliant, acid- and alkali resistant, drag chain-adapted, welding sparks resistant, seawater resistant, silicone free, torsion resistant, UV resistant |

|                       |  |
|-----------------------|--|
| <b>Classification</b> |  |
|-----------------------|--|

|            |          |
|------------|----------|
| eCl@ss 6.0 | 27279200 |
| eCl@ss 7.0 | 27279218 |
| eCl@ss 8.0 | 27279218 |
| eCl@ss 9.0 | 27060311 |
| ETIM 5.0   | EC001855 |
| ETIM 6.0   | EC001855 |

|                    |
|--------------------|
| <b>Accessories</b> |
|--------------------|

Marking rings Ø 9mm  
<https://www.escha.net/en/products/standard/accessories-for-connectivity?p=1&o=3&n=15&f=809>

Cable Stripping Tool  
<https://www.escha.net/en/products/standard/accessories-for-connectivity/8066215>