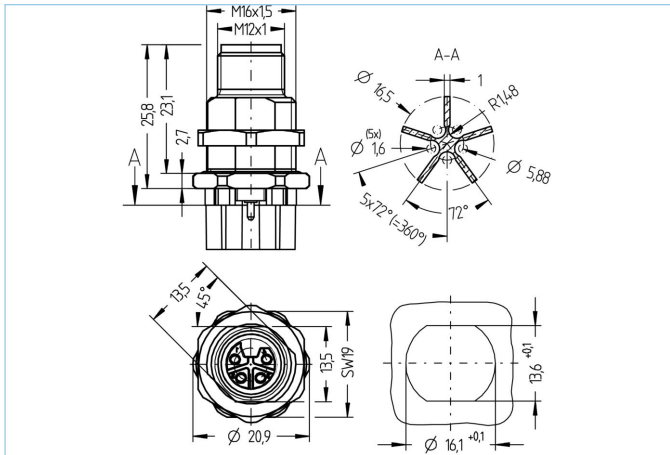


Receptacle, M12, male, straight, 4 poles, L-coded, back wall-mounting, with insulating cross, print contact, POWER



**Product data**

Item description	PL-FHM12SU4-P/M16/S580
Item-No.	8110380
Customs tariff-No.	85444290
Packaging unit	10
Step-File	PL-FHM12SU4-PM16_S580.stp
EAN	4047106305437
Special	PNO compliant

**Technical data**

Connector	male, straight, M12
Number of pins	4
Coding	L
Rated voltage	63V <sub>DC</sub>
Current load per pin (at 40°C)	16A
Resistance	≤ 3mΩ
Ambient temperature product	-30°C...+90°C
Contact material	Metal, CuZn, gold-plated
Contact-carrier material	Plastic, PA, BK
Receptacle housing material	Metal, CuZn, nickel-plated
Mounting direction	Back wall-mounting (incl. Fixing screw)
Fastening thread	M16x1.5
Connecting type	Print contact
Standards	IEC 61076-2-111
Degree of protection (mounted)	IP65, IP67, IP68
Mechanical life-cycle	>100 mating cycles
Degree of pollution	3
Style	straight

**Classification**

eCl@ss 6.0	27279220
eCl@ss 7.0	27440103
eCl@ss 8.0	27440103
eCl@ss 9.0	27440103
ETIM 5.0	EC002061
ETIM 6.0	EC002061