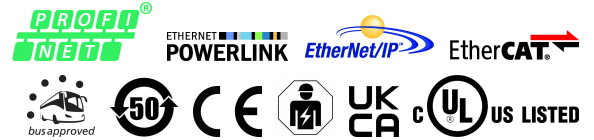
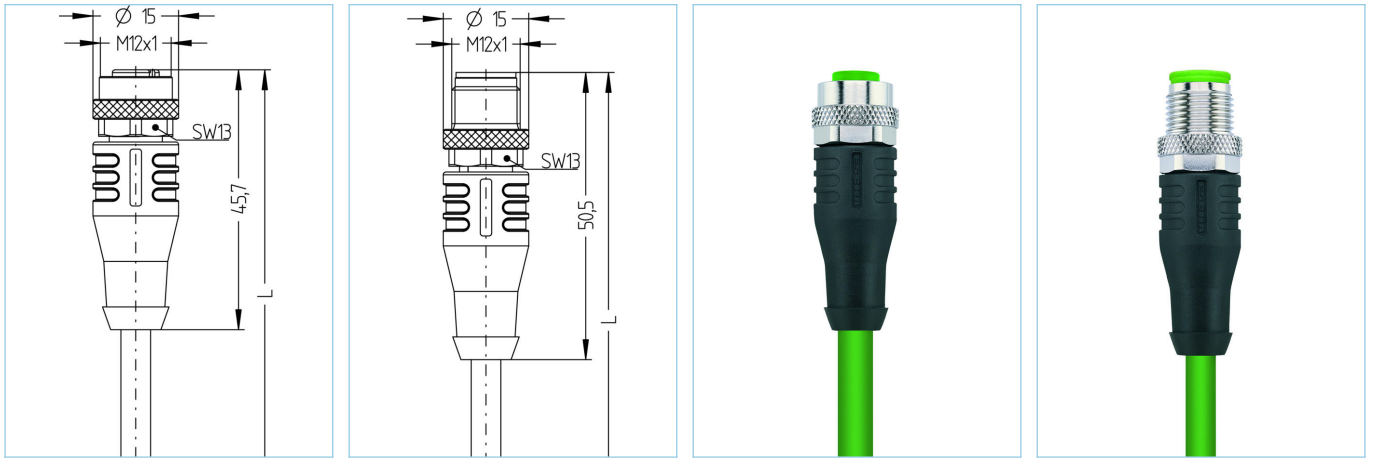


M12, female, straight, 4 poles, D-coded, M12, male, straight, 4 poles, D-coded, shielded, Industrial Ethernet 100 MBit/s



Product data

| | |
|--------------------|---------------------------------------|
| Item description | IE-WAKSY4.029-3,5-IE-WASSY4.029/S2171 |
| Item-No. | 8109656 |
| Length | 3.5m |
| Customs tariff-No. | 85444290 |
| Step-File | IE-WAKSY4-m-IE-WASSY4.stp |
| EAN | 4047106303778 |

Technical data

| | A-side | B-side |
|--------------------------------|----------------------------|----------------------------|
| Connector | female, straight, M12 | male, straight, M12 |
| Number of pins | 4 | 4 |
| Pin assignment | 1 YE, 2 WH, 3 OG, 4 BU | 1 YE, 2 WH, 3 OG, 4 BU |
| Coding of | D | D |
| Rated voltage | 60V | 60V |
| Current load (at 40°C) | 4A | 4A |
| Insulation resistance | ≥10 ⁹ Ω | ≥10 ⁹ Ω |
| Resistance | ≤ 5mΩ | ≤ 5mΩ |
| Transmission features | Cat5e | Cat5e |
| Ambient temperature product | -30°C...+90°C | -30°C...+90°C |
| Contact material | Metal, CuSn, gold-plated | Metal, CuSn, gold-plated |
| Contact-carrier material | Plastic, TPU, GN | Plastic, TPU, GN |
| Grip body material | Plastic, TPU, BK | Plastic, TPU, BK |
| Coupling nut material | Metal, CuZn, nickel-plated | Metal, CuZn, nickel-plated |
| Shielding | with shielding | with shielding |
| Standards | IEC 61076-2-101 | IEC 61076-2-101 |
| Degree of protection (mounted) | IP65, IP67, IP68 | IP65, IP67, IP68 |
| Mechanical life-cycle | >100 mating cycles | >100 mating cycles |
| Degree of pollution | 3 | 3 |

| | |
|------------------|--|
| Cable web | Cat5e, PUR, UL, S2171, PROFINET |
|------------------|--|

Shielded, PUR-cable for industrial applications. The cable is CMX-verified or meets the Cat5e (electrical properties of EN 50288-2-1) requirements. Materials and a constructive setup allow for increased mechanical stresses (abrasion, bending, vibrations etc.) of the cable. A drag-chain application with up to 3 million bending cycles is possible.

| | |
|------------------------------|---|
| Outer diameter of jacket | 6.50 mm |
| Cable-jacket material | PUR |
| Jacket color | GN, similar RAL6018 |
| Wire cross-section | 1 x 4 x AWG22, star quad |
| Wire insulation material | FRNC |
| Wire colors | WH, BU, OG, YE |
| Wire structure | 7 x 0.25 mm |
| Bending radius (fixed) | 4 x Ø-cable |
| Bending radius (repeated) | 8 x Ø-cable |
| Temperature range (repeated) | -30°C...+70°C |
| Temperature range (fixed) | -40°C...+75°C |
| Drag chain-application | 3 Mio. bending cycles |
| Acceleration Drag chain | max. 4m/s ² |
| Halogen-free | Yes |
| Transmission features | Cat5e |
| Rated voltage cable | 600 V UL rating |
| Special features | flame retardant, halogen free, high flexibility, hydrolysis proof, LABS free, microbes resistant, oil resistant, ozone resistant, PROFINET Type C, recyclable, RoHS compliant, acid- and alkali resistant, drag chain-adapted, seawater resistant, UN ECE R 118, UV resistant |
| Geschwindigkeit Schleppkette | max. 4m/s |

| | |
|-----------------------|--|
| Classification | |
|-----------------------|--|

| | |
|------------|----------|
| eCl@ss 6.0 | 27060307 |
| eCl@ss 7.0 | 27060307 |
| eCl@ss 8.0 | 27060307 |
| eCl@ss 9.0 | 27060307 |
| ETIM 5.0 | EC000830 |
| ETIM 6.0 | EC000830 |