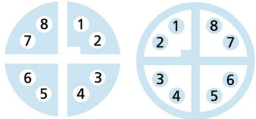
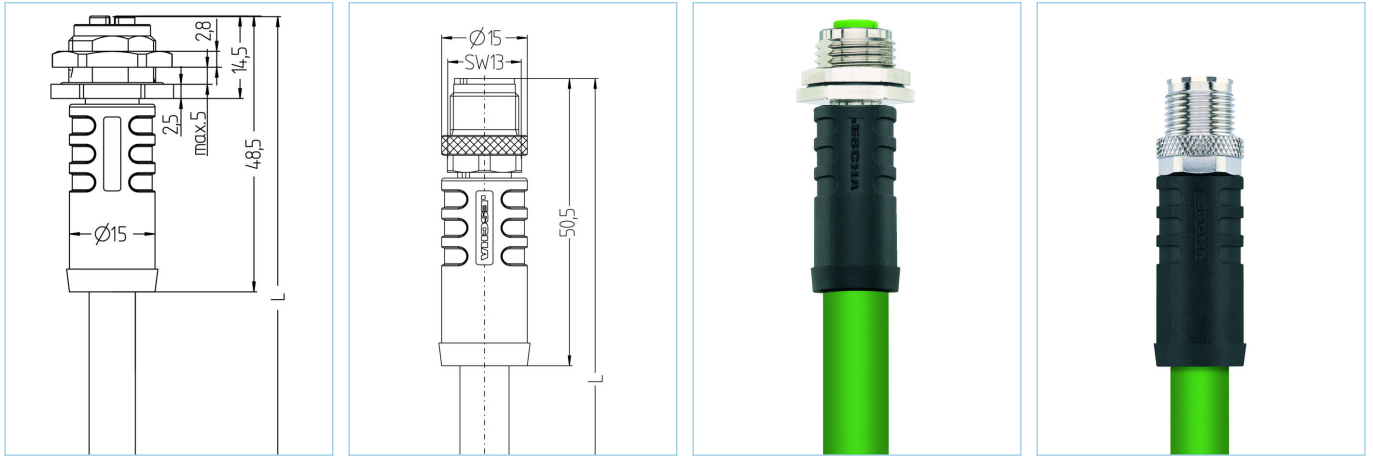


Receptacle Double-ended cordset, M12, female, straight, 8 poles, X-coded, M12, male, straight, 8 poles, X-coded, shielded, Industrial Ethernet



| Product data | |
|--------------------|--|
| Item description | IE-FKFDSX8.066-7,5-IE-WASSX8.066/S4030 |
| Item-No. | 8102816 |
| Length | 7.5m |
| Customs tariff-No. | 85444290 |
| Step-File | IE-FKFDSX8-L-IE-WASSX8_S403X.stp |
| EAN | 4047106287566 |

| Technical data | A-side | B-side |
|------------------------------|--|--|
| Connector | female, straight, M12 | male, straight, M12 |
| Number of pins | 8 | 8 |
| Pin assignment | 1 WHOG, 2 OG; 3 WHGN, 4 GN; 5 WHBN, 6 BN; 7 WHBU, 8 BU | 1 WHOG, 2 OG; 3 WHGN, 4 GN; 5 WHBN, 6 BN; 7 WHBU, 8 BU |
| Coding of | X | X |
| Rated voltage | 50V _{AC} 60V _{DC} | 50V _{AC} 60V _{DC} |
| Current load (at 40°C) | 0.5A | 0.5A |
| Insulation resistance | ≥10 ⁹ Ω | ≥10 ⁹ Ω |
| Transmission features | Cat6A | Cat6A |
| Ambient temperature product | -30°C...+90°C | -30°C...+90°C |
| Contact material | Metal, CuSn, gold-plated | Metal, CuSn, gold-plated |
| Contact-carrier material | Plastic, PA, GN | Plastic, PA, transparent |
| Grip body material | Plastic, TPU, BK | Plastic, TPU, BK |
| Coupling nut material | Metal, CuZn, nickel-plated | Metal, CuZn, nickel-plated |
| Receptacle housing material | Metal, CuZn, nickel-plated | |
| Sealing (female) material | FPM/FKM | |
| Material of external sealing | NBR | |
| Shielding | with shielding | with shielding |
| Mounting direction | Back wall-mounting (incl. Fixing screw) | |
| Fastening thread | PG9 | |

| | | |
|--------------------------------|--------------------|--------------------|
| Standards | IEC 61076-2-109 | IEC 61076-2-109 |
| Degree of protection (mounted) | IP65, IP67, IP68 | IP65, IP67, IP68 |
| Mechanical life-cycle | >100 mating cycles | >100 mating cycles |
| Degree of pollution | 2 | 2 |

Advanced technical data UL

| | |
|---------------|----------------------|
| Rated voltage | 48V _{AC/DC} |
| Rated current | 0,5A |

Cable web Cat7, PUR, UL, S4030

PROFINET 4x2xAWG24/7 Type C is a torsion resistant-, high-speed-data cable of transmission category Cat 7. The cable is halogenfree, flame-retardant, resistant to oil and resistant to abrasion due to PUR-outer jacket. It is excellently adapted for applications in industrial areas. Due to high-grade shielding, a high transmission safety of data in electromagnetically charged areas is provided. It is adapted for applications in dry- and wet areas.

| | |
|------------------------------|---|
| Outer diameter of jacket | 9.40 mm |
| Cable-jacket material | PUR |
| Jacket color | GN, similar RAL6018 |
| Wire cross-section | 4 x 2 x AWG24 |
| Wire insulation material | Foam-Skin Polyolefin |
| Wire colors | WH/BU ; WH/OG ; WH/GN ; WH/BN |
| Wire structure | 7 x 0.20 mm |
| Bending radius (fixed) | 8 x Ø-cable |
| Bending radius (repeated) | 15 x Ø-cable |
| Temperature range (repeated) | -30°C...+70°C |
| Temperature range (fixed) | -40°C...+80°C |
| Shielding | Yes |
| Halogen-free | Yes |
| Torsion | >5 Mio. cycles (±180°/m) |
| Transmission features | Cat7 |
| Rated voltage cable | max. 125 V |
| Special features | flame retardant, halogen free, LABS free, oil resistant, ozone resistant, recyclable, RoHs compliant, torsion resistant, UV resistant |

Classification

| | |
|------------|----------|
| eCl@ss 6.0 | 27060307 |
| eCl@ss 7.0 | 27060307 |
| eCl@ss 8.0 | 27060307 |
| eCl@ss 9.0 | 27060307 |
| ETIM 5.0 | EC000830 |
| ETIM 6.0 | EC000830 |

Accessories

| |
|--|
| Marking rings Ø 9mm https://www.escha.net/en/products/standard/accessories-for-connectivity?p=1&o=3&n=15&f=809 |
| Torque-wrench set https://www.escha.net/en/products/standard/accessories-for-connectivity/8055431 |