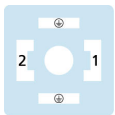
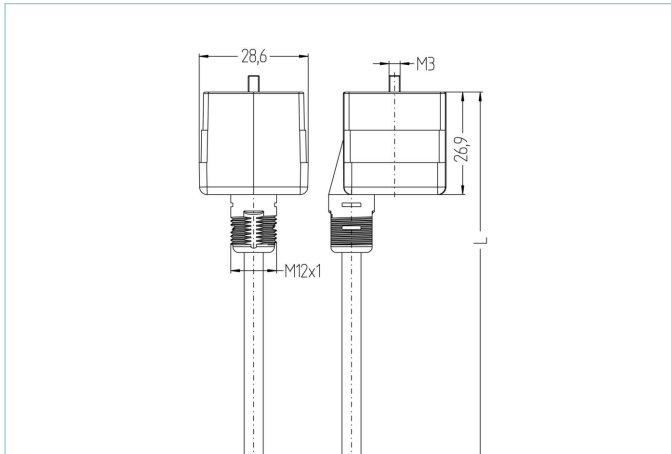


Valve connector, housing style A, straight, 2+PE bridged, grip body with thread, rail approved



Product data

| | |
|--------------------|---------------------------|
| Item description | RA-VAAG22.1-230.0-2/S5600 |
| Item-No. | 8101659 |
| Length | 2m |
| Customs tariff-No. | 85444290 |
| Step-File | RA-VAAG22_1-230_0-m.stp |
| EAN | 4047106310110 |

Technical data

| | |
|--------------------------------|---|
| Connector | female, straight, Valve AA, grip body with thread |
| Number of pins | 2+PE, PE bridged |
| Pin assignment | 1 WH1, 2 WH2, PE: GNYE |
| Rated voltage | 230V _{AC/DC} |
| Current load per pin (at 40°C) | 10A |
| Insulation resistance | ≥10 ⁸ Ω |
| Contact material | Metal, CuZn, silver-plated |
| Contact-carrier material | Plastic, PA, BK |
| Grip body material | Plastic, PA, BK |
| Sealing (female) material | Plastic, NBR |
| Protection circuit | without |
| Fixing screw | Metal, CuZn, nickel-plated |
| Housing style | AA |
| Standards | DIN EN 175301-803 |
| Degree of protection (mounted) | IP65, IP67 |
| Mechanical life-cycle | >100 mating cycles |
| Degree of pollution | 3 |
| Style | straight |

Advanced technical data rail approved

| | |
|------------------------------|------------------------------------|
| Standards | DIN EN 50155, DIN EN 45545-2 |
| Shock & vibration | Class 1, Category B (DIN EN 61373) |
| Temperature range | Tx (-40°C...+90°C) |
| Fire prevention according to | DIN EN 45545-2 HL1-3 |

Cable web **ÖLFLEX® TRAIN, 3x0,75mm², S5600**

Halogen-free, highly flame-resistant cable for fixed, mechanically protected installation in railway vehicles. The cable fulfils the requirements according to EN 45545-2 (HL1 – HL3). It is characterized by a wide temperature range. ÖLFLEX® is a registered trademark of Lapp GmbH, Germany.

| | |
|------------------------------|--|
| Outer diameter of jacket | 4.7 mm |
| Cable-jacket material | flame retardant, halogen free polymer-compound |
| Jacket color | BK |
| Wire cross-section | 3 x 0.75 mm² |
| Wire insulation material | Polymer compound |
| Wire colors | WH 1, WH 2, GNYE |
| Wire structure | 37 x 0,16 mm |
| Bending radius (fixed) | 4xØ-cable |
| Bending radius (repeated) | 5xØ-cable |
| Temperature range (repeated) | -35°C...+105°C |
| Temperature range (fixed) | -45°C...+125°C |
| Fire prevention according to | DIN EN 45545-2 HL1-3 |
| Halogen-free | Yes |
| Special features | flame retardant, halogen free, oil- and fuel resistant, acid- and alkali resistant |

Classification

| | |
|------------|----------|
| eCl@ss 6.0 | 27279218 |
| eCl@ss 7.0 | 27279218 |
| eCl@ss 8.0 | 27279218 |
| eCl@ss 9.0 | 27060312 |
| ETIM 5.0 | EC001855 |
| ETIM 6.0 | EC001855 |

Accessories

Labels, Valve connector

<https://www.escha.net/en/products/standard/accessories-for-connectivity/8047109>

Adapter piece, M12

<https://www.escha.net/en/products/standard/accessories-for-connectivity/8081747>

Protective hose

<https://www.escha.net/en/products/standard/accessories-for-connectivity/8081621>