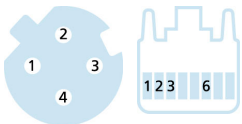
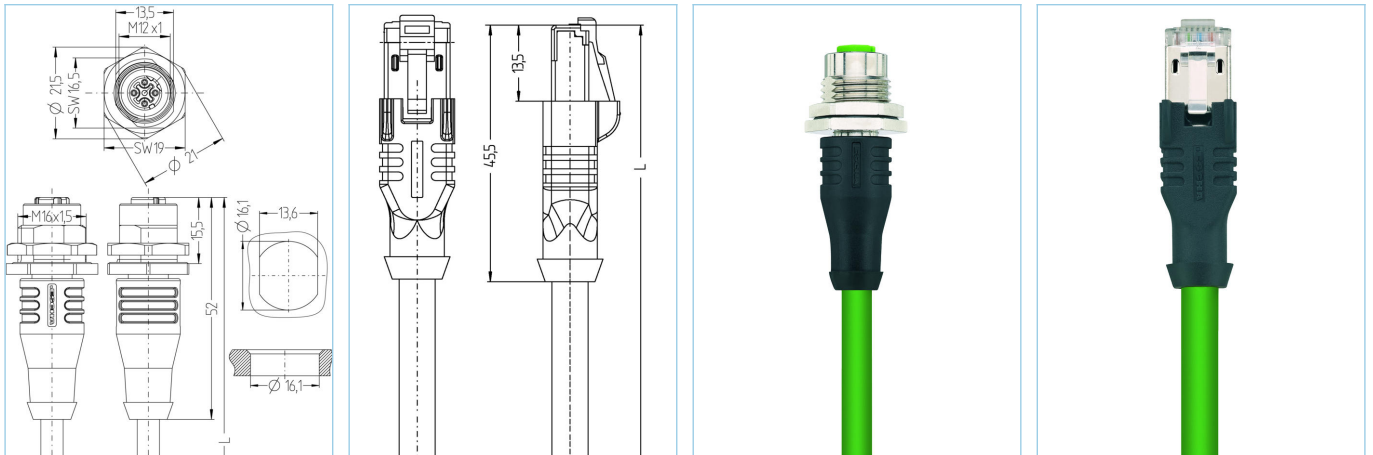


Receptacle Double-ended cordset, M12, female, straight, 4 poles, D-coded, RJ45, male, straight, 4 poles, shielded, Industrial Ethernet



PROFI
NET



Product data

| | |
|--------------------|---------------------------------------|
| Item description | IE-FKFDSY4.029-4-IE-RJ45SS4.003/S5100 |
| Item-No. | 8094577 |
| Length | 4m |
| Customs tariff-No. | 85444290 |
| Step-File | IE-FKFDSY4-L-IE-RJ45SS4.stp |
| EAN | 4047106269029 |

| Technical data | A-side | B-side |
|--------------------------------|----------------------------|----------------------------|
| Connector | female, straight, M12 | male, straight, RJ45 |
| Number of pins | 4 | |
| Pin assignment | 1 YE, 2 WH, 3 OG, 4 BU | 1 YE, 3 WH, 2 OG, 6 BU |
| Coding of | D | |
| Rated voltage | 250V | 60V |
| Current load (at 40°C) | 4A | 1A |
| Insulation resistance | ≥10 ⁹ Ω | |
| Transmission features | Cat5e | Cat5e |
| Ambient temperature product | -30°C...+90°C | -40°C...+70°C |
| Contact material | Metal, CuSn, gold-plated | Metal, CuZn, gold-plated |
| Contact-carrier material | Plastic, PA, GN | Plastic |
| Grip body material | Plastic, TPU, BK | Plastic, TPU, BK |
| Receptacle housing material | Metal, CuZn, nickel-plated | |
| Sealing (female) material | FPM/FKM | |
| Material of external sealing | NBR | |
| Shielding | with shielding | with shielding |
| Material of shielding housing | | Metal, CuZn, nickel-plated |
| Standards | IEC 61076-2-101/109 | IEC 60603-7-5 |
| Degree of protection (mounted) | IP65, IP67, IP68 | IP20 |
| Mechanical life-cycle | >100 mating cycles | >750 mating cycles |
| Degree of pollution | 3 | 1 |

| | |
|------------------|---|
| Cable web | Cat5e, PUR, UL, S5100, PROFINET Type R |
|------------------|---|

Shielded, PUR-cable for industrial applications. The cable is UL-verified or meets the Cat5e (electrical properties of EN 50288-2-1) requirements. Materials and a constructive setup allow for increased mechanical stresses (abrasion, bending, vibrations etc.) of the cable. This cable is especially suitable for robotic applications.

| | |
|------------------------------|--|
| Outer diameter of jacket | 6.50 mm |
| Cable-jacket material | PUR |
| Jacket color | GN, similar RAL6018 |
| Wire cross-section | 1 x 4 x AWG22, star quad |
| Wire insulation material | PE |
| Wire colors | YE/OG ; WH/BU |
| Wire structure | 19 x 0.15 mm |
| Bending radius (fixed) | 5 x Ø-cable |
| Bending radius (repeated) | 10 x Ø-cable |
| Temperature range (repeated) | -20°C...+80°C |
| Temperature range (fixed) | -40°C...+80°C |
| Drag chain-application | 5 Mio. bending cycles |
| Halogen-free | Yes |
| Torsion | >5 Mio. cycles |
| Transmission features | Cat5e |
| Rated voltage cable | 600 V UL rating |
| Special features | flame retardant, halogen free, high flexibility, hydrolysis proof, LABS free, microbes resistant, oil resistant, ozone resistant, PROFINET Type R, recyclable, RoHS compliant, acid- and alkali resistant, drag chain-adapted, seawater resistant, torsion resistant, UV resistant |

| | |
|-----------------------|--|
| Classification | |
|-----------------------|--|

| | |
|------------|----------|
| eCl@ss 6.0 | 27060307 |
| eCl@ss 7.0 | 27060307 |
| eCl@ss 8.0 | 27060307 |
| eCl@ss 9.0 | 27060307 |
| ETIM 5.0 | EC000830 |
| ETIM 6.0 | EC000830 |