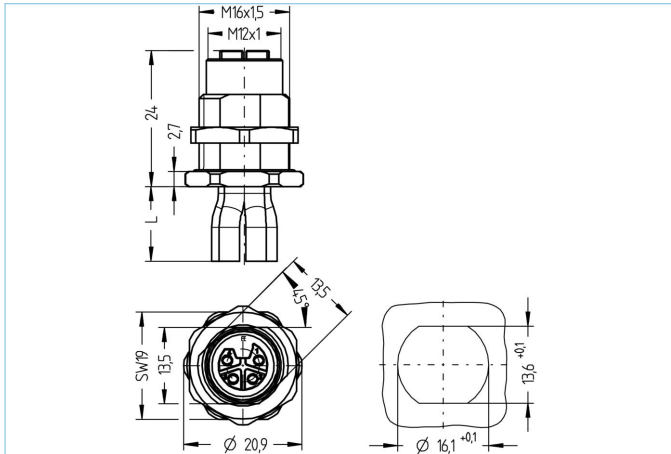


Receptacle, M12, female, straight, 4 poles, L-coded, back wall-mounting, wire contact, POWER



**Product data**

Item description	PL-FHM12KU4-0,2/M16/S5015
Item-No.	8087066
Customs tariff-No.	85444290
Packaging unit	5
Step-File	PL-FHM12KU4-m_M16_S5015.stp
EAN	4047106253196
Special	PNO compliant

**Technical data**

Connector	female, straight, M12
Number of pins	4
Coding	L
Rated voltage	63V <sub>DC</sub>
Current load per pin (at 40°C)	16A
Resistance	≤ 3mΩ
Ambient temperature product	-30°C...+90°C
Contact material	Metal, CuZn, gold-plated
Contact-carrier material	Plastic, PA, BK
Receptacle housing material	Metal, CuZn, nickel-plated
Sealing (female) material	FPM/FKM
Mounting direction	Back wall-mounting (incl. Fixing screw)
Wire length	0.20m
Wire colors	BN, WH, BU, BK
Wire cross-section	4 x 1.5 mm <sup>2</sup>
Wire insulation material	PVC
Fastening thread	M16x1.5

Connecting type	Wire contact
Standards	IEC 61076-2-111
Degree of protection (mounted)	IP65, IP67, IP68
Mechanical life-cycle	>100 mating cycles
Degree of pollution	3
Style	straight

#### Advanced technical data UL

Rated voltage	63V
Rated current	12A

#### Classification

eCl@ss 6.0	27279220
eCl@ss 7.0	27440103
eCl@ss 8.0	27440103
eCl@ss 9.0	27440103
ETIM 5.0	EC002061
ETIM 6.0	EC002061

#### Link to product

<https://www.escha.net/en/products/standard/power-connectors/8087066>