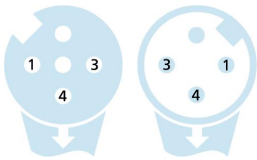
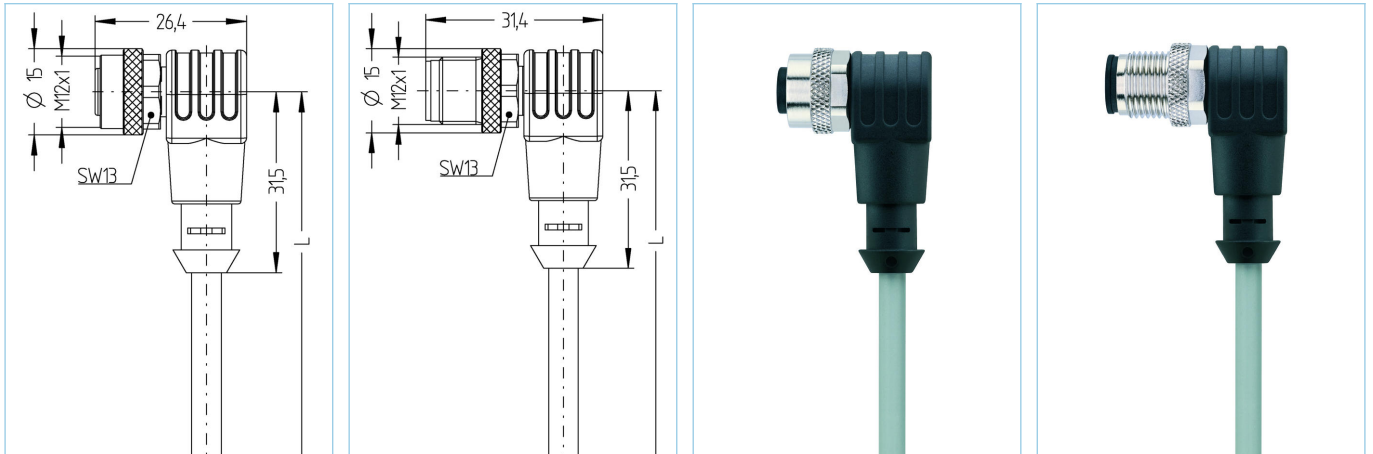


M12, female, angled, 3 poles, M12, male, angled, 3 poles, sensor-/actuator cable



| Product data       |                         |
|--------------------|-------------------------|
| Item description   | AL-WWAK3-7-AL-WWAS3/P01 |
| Item-No.           | 8085094                 |
| Length             | 7m                      |
| Customs tariff-No. | 85444290                |
| Step-File          | AL-WWAK3_AL-WWAS3.stp   |
| EAN                | 4047106243180           |

| Technical data                 | A-side                     | B-side                     |
|--------------------------------|----------------------------|----------------------------|
| Connector                      | female, angled, M12        | male, angled, M12          |
| Number of pins                 | 3                          | 3                          |
| Pin assignment                 | 1 BN, 3 BU, 4 BK           | 1 BN, 3 BU, 4 BK           |
| Coding of                      | A                          | A                          |
| Rated voltage                  | 250V                       | 250V                       |
| Current load (at 40°C)         | 4A                         | 4A                         |
| Insulation resistance          | $\geq 10^9 \Omega$         | $\geq 10^9 \Omega$         |
| Resistance                     | $\leq 5 m\Omega$           | $\leq 5 m\Omega$           |
| Ambient temperature product    | -30°C...+90°C              | -30°C...+90°C              |
| Contact material               | Metal, CuSn, gold-plated   | Metal, CuSn, gold-plated   |
| Contact-carrier material       | Plastic, TPU, BK           | Plastic, TPU, BK           |
| Grip body material             | Plastic, TPU, BK           | Plastic, TPU, BK           |
| Coupling nut material          | Metal, CuZn, nickel-plated | Metal, CuZn, nickel-plated |
| Sealing (female) material      | FPM/FKM                    |                            |
| Standards                      | IEC 61076-2-101            | IEC 61076-2-101            |
| Degree of protection (mounted) | IP65, IP67, IP68           | IP65, IP67, IP68           |
| Mechanical life-cycle          | >100 mating cycles         | >100 mating cycles         |
| Degree of pollution            | 3                          | 3                          |

|                  |                         |
|------------------|-------------------------|
| <b>Cable web</b> | <b>PVC, UL, P01, GY</b> |
|------------------|-------------------------|

PVC-cable for measurement and control-, and sensor technology. Suitable for applications in dry areas on packaging machines, assembly- and conveyor technology. High flexibility with unstressed movement (conditional drag-chain application possible). Predestined for applications in food- and beverage industry.

|                              |  |
|------------------------------|--|
| Outer diameter of jacket     | 4.60 mm  |
| Cable-jacket material        | PVC  |
| Jacket color                 | GY, similar RAL7040  |
| Wire cross-section           | 3 x 0.34 mm <sup>2</sup>   |
| Wire insulation material     | PVC  |
| Wire colors                  | BN, BU, BK   |
| Wire structure               | 19 x 0.15 mm   |
| Bending radius (fixed)       | 5 x Ø-cable  |
| Bending radius (repeated)    | 10 x Ø-cable   |
| Temperature range (repeated) | 0°C...+80°C  |
| Temperature range (fixed)    | -25°C...+80°C  |
| Rated voltage cable          | ≤300 V   |
| Special features             | good resistance against oils and chemicals, LABS free, ozone resistant, recyclable, RoHs compliant, acid- and alkali resistant, seawater resistant, UV resistant |

|                       |  |
|-----------------------|--|
| <b>Classification</b> |  |
|-----------------------|--|

|            |          |
|------------|----------|
| eCl@ss 6.0 | 27279218 |
| eCl@ss 7.0 | 27279218 |
| eCl@ss 8.0 | 27279218 |
| eCl@ss 9.0 | 27060311 |
| ETIM 5.0   | EC001855 |
| ETIM 6.0   | EC001855 |

|                    |  |
|--------------------|--|
| <b>Accessories</b> |  |
|--------------------|--|

|  |  |
|--|--|
| Mounting-clip, M12<br><a href="https://www.escha.net/en/products/standard/accessories-for-connectivity/8047660">https://www.escha.net/en/products/standard/accessories-for-connectivity/8047660</a>  |  |
| Torque-wrench set<br><a href="https://www.escha.net/en/products/standard/accessories-for-connectivity/8055431">https://www.escha.net/en/products/standard/accessories-for-connectivity/8055431</a>   |  |
| Marking rings Ø 9mm<br><a href="https://www.escha.net/en/products/standard/accessories-for-connectivity?p=1&amp;o=3&amp;n=15&amp;f=809">https://www.escha.net/en/products/standard/accessories-for-connectivity?p=1&amp;o=3&amp;n=15&amp;f=809</a> |  |
| Screw plug, M12<br><a href="https://www.escha.net/en/products/standard/accessories-for-connectivity?p=1&amp;o=3&amp;n=15&amp;f=812">https://www.escha.net/en/products/standard/accessories-for-connectivity?p=1&amp;o=3&amp;n=15&amp;f=812</a>     |  |
| Screw cap, M12<br><a href="https://www.escha.net/en/products/standard/accessories-for-connectivity?p=1&amp;o=3&amp;n=15&amp;f=811">https://www.escha.net/en/products/standard/accessories-for-connectivity?p=1&amp;o=3&amp;n=15&amp;f=811</a>      |  |