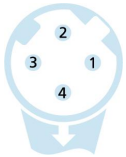
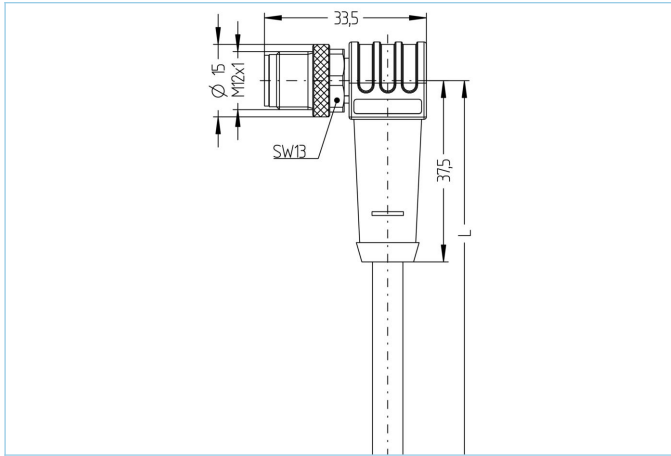


M12, male, angled, 4 poles, D-coded, M12, male, angled, 4 poles, D-coded, shielded, Industrial Ethernet 100 MBit/s



| Product data       |                                       |
|--------------------|---------------------------------------|
| Item description   | IE-WWASSY4.029-7-IE-WWASSY4.029/S2171 |
| Item-No.           | 8083257                               |
| Length             | 7m                                    |
| Customs tariff-No. | 85444290                              |
| Step-File          | IE-WWASSY4-m-IE-WWASSY4.stp           |
| EAN                | 4047106237424                         |

| Technical data                 | A-side                     | B-side                     |
|--------------------------------|----------------------------|----------------------------|
| Connector                      | male, angled, M12          | male, angled, M12          |
| Number of pins                 | 4                          | 4                          |
| Pin assignment                 | 1 YE, 2 WH, 3 OG, 4 BU     | 1 YE, 2 WH, 3 OG, 4 BU     |
| Coding of                      | D                          | D                          |
| Rated voltage                  | 60V                        | 60V                        |
| Current load (at 40°C)         | 4A                         | 4A                         |
| Insulation resistance          | ≥10 <sup>8</sup> Ω         | ≥10 <sup>8</sup> Ω         |
| Resistance                     | ≤ 5mΩ                      | ≤ 5mΩ                      |
| Transmission features          | Cat5e                      | Cat5e                      |
| Ambient temperature product    | -30°C...+90°C              | -30°C...+90°C              |
| Contact material               | Metal, CuSn, gold-plated   | Metal, CuSn, gold-plated   |
| Contact-carrier material       | Plastic, TPU, GN           | Plastic, TPU, GN           |
| Grip body material             | Plastic, TPU, BK           | Plastic, TPU, BK           |
| Coupling nut material          | Metal, CuZn, nickel-plated | Metal, CuZn, nickel-plated |
| Shielding                      | with shielding             | with shielding             |
| Standards                      | IEC 61076-2-101            | IEC 61076-2-101            |
| Degree of protection (mounted) | IP65, IP67, IP68           | IP65, IP67, IP68           |
| Mechanical life-cycle          | >100 mating cycles         | >100 mating cycles         |
| Degree of pollution            | 3                          | 3                          |

| Advanced technical data UL |     |
|----------------------------|-----|
| Rated voltage              | 30V |

|                  |  |
|------------------|--|
| <b>Cable web</b> | <b>Cat5e, PUR, UL, S2171, PROFINET</b> |
|------------------|--|

Shielded, PUR-cable for industrial applications. The cable is CMX-verified or meets the Cat5e (electrical properties of EN 50288-2-1) requirements. Materials and a constructive setup allow for increased mechanical stresses (abrasion, bending, vibrations etc.) of the cable. A drag-chain application with up to 3 million bending cycles is possible.

|                              |   |
|------------------------------|---|
| Outer diameter of jacket     | 6.50 mm   |
| Cable-jacket material        | PUR   |
| Jacket color                 | GN, similar RAL6018   |
| Wire cross-section           | 1 x 4 x AWG22, star quad  |
| Wire insulation material     | FRNC  |
| Wire colors                  | WH, BU, OG, YE  |
| Wire structure               | 7 x 0.25 mm   |
| Bending radius (fixed)       | 4 x Ø-cable   |
| Bending radius (repeated)    | 8 x Ø-cable   |
| Temperature range (repeated) | -30°C...+70°C   |
| Temperature range (fixed)    | -40°C...+75°C   |
| Drag chain-application       | 3 Mio. bending cycles   |
| Acceleration Drag chain      | max. 4m/s <sup>2</sup>  |
| Halogen-free                 | Yes   |
| Transmission features        | Cat5e   |
| Rated voltage cable          | 600 V UL rating   |
| Special features             | flame retardant, halogen free, high flexibility, hydrolysis proof, LABS free, microbes resistant, oil resistant, ozone resistant, PROFINET Type C, recyclable, RoHs compliant, acid- and alkali resistant, drag chain-adapted, seawater resistant, UN ECE R 118, UV resistant |
| Geschwindigkeit Schleppkette | max. 4m/s   |

|                       |  |
|-----------------------|--|
| <b>Classification</b> |  |
|-----------------------|--|

|            |          |
|------------|----------|
| eCl@ss 6.0 | 27060307 |
| eCl@ss 7.0 | 27060307 |
| eCl@ss 8.0 | 27060307 |
| eCl@ss 9.0 | 27060307 |
| ETIM 5.0   | EC000830 |
| ETIM 6.0   | EC000830 |