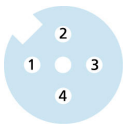
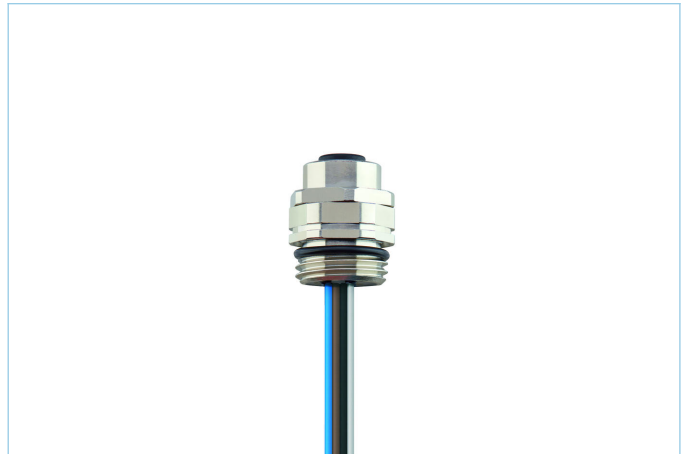
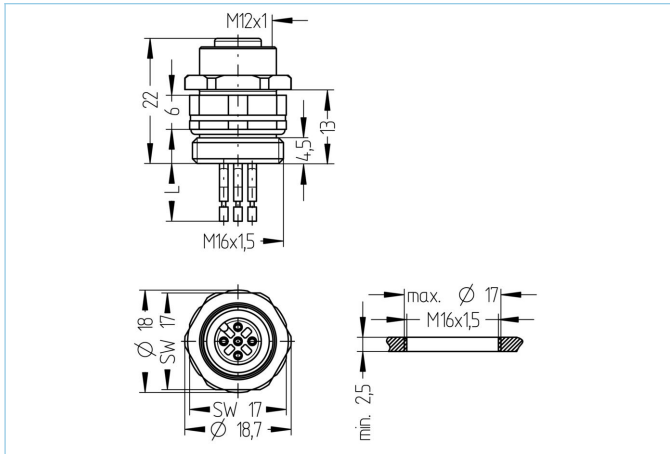


Receptacle, M12, female, straight, 4 poles, front wall-mounting, wire contact, stainless steel



| Product data | |
|--------------------------------|-----------------------------------|
| Item description | AL-FVM12EKUA4-0,5/M16/S520 |
| Item-No. | 8082909 |
| Customs tariff-No. | 85444290 |
| Packaging unit | 5 |
| Step-File | AL-FVM12KUA4-m_M16_S520.stp |
| EAN | 4047106240639 |
| Technical data | |
| Connector | female, straight, M12 |
| Number of pins | 4 |
| Pin assignment | 1 BN, 2 WH, 3 BU, 4 BK |
| Coding | A |
| Rated voltage | 250V |
| Current load per pin (at 40°C) | 4A |
| Insulation resistance | ≥10 ⁹ Ω |
| Ambient temperature product | -30°C...+90°C |
| Contact material | Metal, CuSn, gold-plated |
| Contact-carrier material | Plastic, PA GF, BK |
| Receptacle housing material | Stainless steel 1.4404 |
| Sealing (female) material | FPM/FKM |
| Material of external sealing | NBR |
| Mounting direction | Front wall-mounting, positionable |
| Wrench size of fastening nut | A/F17 |
| Wire length | 0.50m |
| Wire colors | BN, WH, BU, BK |
| Wire cross-section | 4 x 0.34 mm ² |
| Wire insulation material | PVC |
| Fastening thread | M16x1.5 |

| | |
|--------------------------------|--------------------|
| Connecting type | Wire contact |
| Standards | IEC 61076-2-101 |
| Degree of protection (mounted) | IP65, IP67, IP68 |
| Mechanical life-cycle | >100 mating cycles |
| Degree of pollution | 3 |
| Style | straight |

Classification

| | |
|------------|----------|
| eCl@ss 6.0 | 27279220 |
| eCl@ss 7.0 | 27440103 |
| eCl@ss 8.0 | 27440103 |
| eCl@ss 9.0 | 27440103 |
| ETIM 5.0 | EC002061 |
| ETIM 6.0 | EC002061 |

Link to product

<https://www.escha.net/en/products/standard/receptacles/8082909>