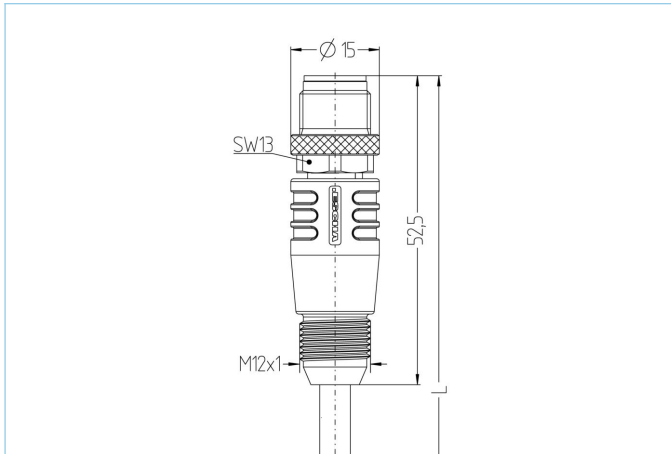


M12, male, straight, 8 poles, X-coded, grip body with thread, shielded, rail approved



| Product data | |
|--------------------------------|--|
| Item description | RA-WASSGX8.066-2/S5006VT |
| Item-No. | 8081384 |
| Length | 2m |
| Customs tariff-No. | 85444290 |
| Step-File | RA-WASSGX8-L.stp |
| EAN | 4047106230685 |
| Technical data | |
| Connector | male, straight, M12, grip body with thread |
| Number of pins | 8 |
| Pin assignment | 1 WH/OG, 2 OG; 3 WH/GN, 4 GN; 5 WH/BN, 6 BN; 7 WH/BU, 8 BU |
| Coding | X |
| Rated voltage | 50V _{AC} 60V _{DC} |
| Current load per pin (at 40°C) | 0.5A |
| Insulation resistance | ≥10 ⁹ Ω |
| Resistance | ≤ 5mΩ |
| Transmission features | Cat6A |
| Contact material | Metal, CuZn, gold-plated |
| Contact-carrier material | Plastic, PA, transparent |
| Grip body material | Plastic, TPU, BK |
| Coupling nut material | Metal, CuZn, nickel-plated |
| Shielding | with shielding |
| Standards | IEC 61076-2-109 |
| Mechanical life-cycle | >100 mating cycles |
| Cable end assembly | open cable end |
| Degree of pollution | 2 |
| Style | straight |

Advanced technical data rail approved

| | |
|--------------------------------|--|
| Standards | DIN EN 50155, DIN EN 45545-2 |
| Shock & vibration | Class 1, Category B (DIN EN 61373) |
| Degree of protection (mounted) | IP67 (-30°C...+90°C), IP65 (-40°C...+90°C) |
| Temperature range | Tx (-40°C...+90°C) |
| Fire prevention according to | DIN EN 45545-2 HL1-3 |

Cable web **Cat7, BETAtrans®, RW, 4x2xAWG26/7, S5006VT**

Halogen-free, electron-beam cross-linked Cat7-data cable with improved fire performance. Excellent features regarding NEXT, attenuation and screening characteristics (pair- and overall screen). This cable can be used for fixed and protected installation inside of rail vehicles and busses and fulfills the requirements according to EN 45545-2 (HL1 - HL3). It is optimally suited for all Ethernet applications of classes D to F (ECN and ETB) according to IEEE 802.3. For installation the guidelines of EN 50355 and EN 50343 must be considered. Due to its thin diameter, this cable is predestined for applications in which overmolded, angled M12x1-connectors as well as overmolded RJ45-connectors are used. BETAtrans® is a registered trademark of LEONI Studer AG, Switzerland.

| | |
|------------------------------|---|
| Outer diameter of jacket | 6.60 mm |
| Cable-jacket material | BETAtrans® Polyolefin Copolymer |
| Jacket color | VT |
| Wire cross-section | 4 x 2 x AWG26 |
| Wire insulation material | BETAtrans® Cell PE |
| Wire colors | WH/OG, WH/GN, WH/BN, WH/BU |
| Wire structure | 7 x 0.20 mm |
| Bending radius (fixed) | 5 x Ø-cable |
| Bending radius (repeated) | 6 x Ø-cable |
| Temperature range (fixed) | -40°C...+80°C |
| Fire prevention according to | DIN EN 45545-2 HL1-3, DIN 5510 fire prevention-levels 1-4, NF F16-101 category A1, A2, B, UNI CEI 11170, danger level LR1-LR4, NFPA 130, UN ECE R 118 |
| Shielding | Yes |
| Halogen-free | Yes |
| Transmission features | Cat7 |
| Rated voltage cable | 125 VAC |
| Special features | increased thermal load, flame retardant, low emission of smoke, halogen free, LABS free, oil- and fuel resistant, RoHs compliant |

Classification

| | |
|------------|----------|
| eCl@ss 6.0 | 27060307 |
| eCl@ss 7.0 | 27060307 |
| eCl@ss 8.0 | 27060307 |
| eCl@ss 9.0 | 27060307 |
| ETIM 5.0 | EC000830 |
| ETIM 6.0 | EC000830 |

Accessories

Torque-wrench set

<https://www.escha.net/en/products/standard/accessories-for-connectivity/8055431>

Cable Stripping Tool

<https://www.escha.net/en/products/standard/accessories-for-connectivity/8066215>

Mounting-clip, M12

<https://www.escha.net/en/products/standard/accessories-for-connectivity/8047660>

Mounting-set, M12

<https://www.escha.net/en/products/standard/accessories-for-connectivity/8047664>

Safety-clip, M12

Adapter piece, M12

<https://www.escha.net/en/products/standard/accessories-for-connectivity/8081747>

Protective hose

<https://www.escha.net/en/products/standard/accessories-for-connectivity/8081621>

Screw cap, M12

<https://www.escha.net/en/products/standard/accessories-for-connectivity?p=1&o=3&n=15&f=811>