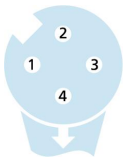
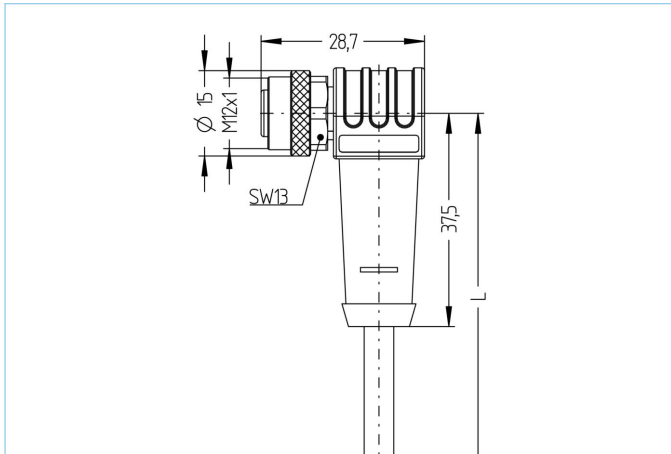


## M12, female, angled, 4 poles, shielded, rail approved



### Product data

|                    |                       |
|--------------------|-----------------------|
| Item description   | RA-WWAKS4.166-5/S4500 |
| Item-No.           | 8075362               |
| Length             | 5m                    |
| Customs tariff-No. | 85444290              |
| Step-File          | RA-WWAKS4.stp         |
| EAN                | 4047106160616         |

### Technical data

|                                |                                |
|--------------------------------|--------------------------------|
| Connector                      | female, angled, M12            |
| Number of pins                 | 4                              |
| Pin assignment                 | 1 WH 1, 2 WH 2, 3 WH 3, 4 WH 4 |
| Coding                         | A                              |
| Rated voltage                  | 250V                           |
| Current load per pin (at 40°C) | 4A                             |
| Insulation resistance          | $\geq 10^9 \Omega$             |
| Resistance                     | $\leq 5 m\Omega$               |
| Contact material               | Metal, CuZn, gold-plated       |
| Contact-carrier material       | Plastic, PA, BK                |
| Grip body material             | Plastic, TPU, BK               |
| Coupling nut material          | Metal, CuZn, nickel-plated     |
| Sealing (female) material      | FPM/FKM                        |
| Shielding                      | with shielding                 |
| Standards                      | IEC 61076-2-101                |
| Mechanical life-cycle          | >100 mating cycles             |
| Cable end assembly             | open cable end                 |
| Degree of pollution            | 3                              |
| Style                          | angled                         |

### Advanced technical data rail approved

|                                |  |
|--------------------------------|--|
| Standards                      | DIN EN 50155, DIN EN 45545-2               |
| Shock & vibration              | Class 1, Category B (DIN EN 61373)         |
| Degree of protection (mounted) | IP67 (-30°C...+90°C), IP65 (-40°C...+90°C) |
| Temperature range              | Tx (-40°C...+90°C)                         |
| Fire prevention according to   | DIN EN 45545-2 HL1-3                       |

### Cable web RADOX®, 4x0,5mm<sup>2</sup>, S4500

Halogen-free, electron-beam cross-linked cable with improved behaviour in case of fire, easy to strip, soldering resistant and flexible. The cable is intended for fixed, mechanically protected installation inside railway vehicles or for installation in applications where limited alternating bending stresses occur during operation. The cable fulfills the requirements according to EN 50306-4 and EN 45545-2 (HL1 - HL3). It is characterized by a wide temperature range and a high oil- and fuel resistance. RADOX® is a registered trademark of HUBER+SUHNER AG, Switzerland.

|                              |   |
|------------------------------|---|
| Outer diameter of jacket     | 5.4 mm  |
| Cable-jacket material        | RADOX® EM 104   |
| Jacket color                 | BK, similar RAL9005   |
| Wire cross-section           | 4 x 0.5 mm <sup>2</sup>   |
| Wire insulation material     | RADOX® EI 306   |
| Wire colors                  | WH 1, WH 2, WH 3, WH 4  |
| Wire structure               | 19 x 0,18 mm  |
| Bending radius (fixed)       | 3xØ-cable   |
| Bending radius (repeated)    | 4xØ-cable   |
| Temperature range (fixed)    | -50°C...+120°C  |
| Fire prevention according to | DIN EN 45545-2 HL1-3, DIN 5510 fire prevention-levels 1-4, NF F16-101 category A1, A2, B, NFPA 130, UN ECE R 118      |
| Shielding                    | Yes   |
| Halogen-free                 | Yes   |
| Special features             | increased thermal load, flame retardant, low emission of smoke, halogen free, oil- and fuel resistant, RoHs compliant |

### Classification

|            |          |
|------------|----------|
| eCl@ss 6.0 | 27279218 |
| eCl@ss 7.0 | 27279218 |
| eCl@ss 8.0 | 27279218 |
| eCl@ss 9.0 | 27060311 |
| ETIM 5.0   | EC001855 |
| ETIM 6.0   | EC001855 |

### Accessories

|  |
|--|
| Torque-wrench set<br><a href="https://www.escha.net/en/products/standard/accessories-for-connectivity/8055431">https://www.escha.net/en/products/standard/accessories-for-connectivity/8055431</a>   |
| Marking rings Ø 9mm<br><a href="https://www.escha.net/en/products/standard/accessories-for-connectivity?p=1&amp;o=3&amp;n=15&amp;f=809">https://www.escha.net/en/products/standard/accessories-for-connectivity?p=1&amp;o=3&amp;n=15&amp;f=809</a> |
| Cable Stripping Tool<br><a href="https://www.escha.net/en/products/standard/accessories-for-connectivity/8066215">https://www.escha.net/en/products/standard/accessories-for-connectivity/8066215</a>  |
| Screw plug, M12<br><a href="https://www.escha.net/en/products/standard/accessories-for-connectivity?p=1&amp;o=3&amp;n=15&amp;f=812">https://www.escha.net/en/products/standard/accessories-for-connectivity?p=1&amp;o=3&amp;n=15&amp;f=812</a>     |
| Mounting-clip, M12<br><a href="https://www.escha.net/en/products/standard/accessories-for-connectivity/8047660">https://www.escha.net/en/products/standard/accessories-for-connectivity/8047660</a>  |
| Mounting-set, M12<br><a href="https://www.escha.net/en/products/standard/accessories-for-connectivity/8047664">https://www.escha.net/en/products/standard/accessories-for-connectivity/8047664</a>   |
| Safety-clip, M12   |

### Link to product

<https://www.escha.net/en/products/standard/connectors-for-bus-and-rail/8075362>