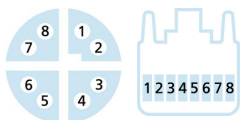
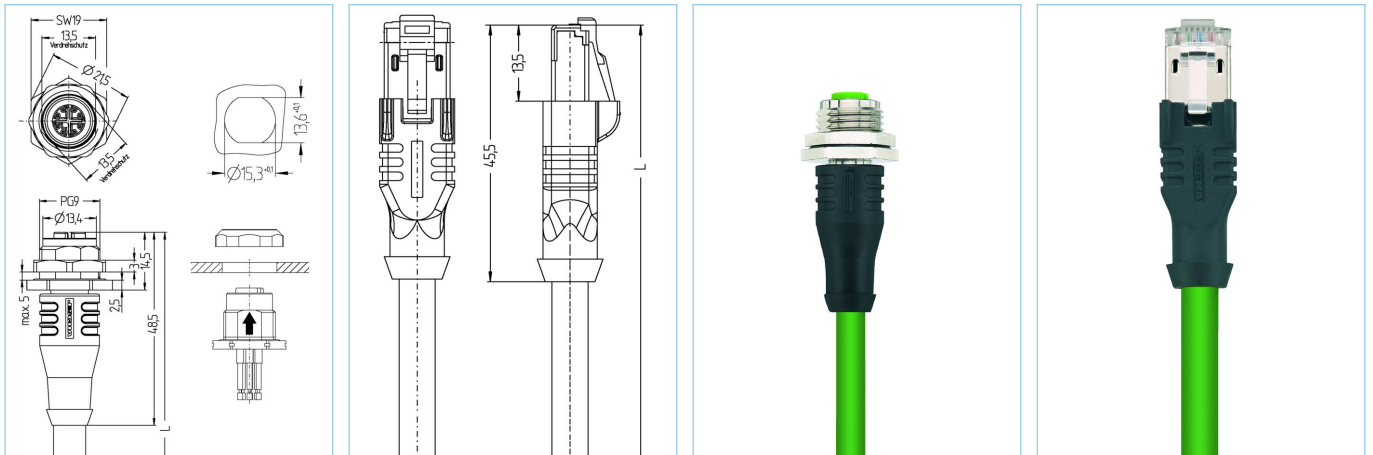


Receptacle Double-ended cordset, M12, female, straight, 8 poles, X-coded, RJ45, male, straight, 8 poles, shielded, Industrial Ethernet



PROFI  
NET



Product data

|                    |                                       |
|--------------------|---------------------------------------|
| Item description   | IE-FKFDSX8.066-8-IE-RJ45SS8.002/S3500 |
| Item-No.           | 8074692                               |
| Length             | 8m                                    |
| Customs tariff-No. | 85444290                              |
| Step-File          | IE-FKFDSX8-m-IE-RJ45SS8.stp           |
| EAN                | 4047106214234                         |

| Technical data                 | A-side   | B-side   |
|--------------------------------|--|--|
| Connector                      | female, straight, M12                                  | male, straight, RJ45                                   |
| Number of pins                 | 8  | 8  |
| Pin assignment                 | 1 WHOG, 2 OG; 3 WHGN, 4 GN; 5 WHBN, 6 BN; 7 WHBU, 8 BU | 1 WHOG, 2 OG; 3 WHGN, 4 BU; 5 WHBU, 6 GN; 7 WHBN, 8 BN |
| Coding of                      | X  |  |
| Rated voltage                  | 50V <sub>AC</sub>   60V <sub>DC</sub>                  | 60V  |
| Current load (at 40°C)         | 0.5A   | 1A   |
| Insulation resistance          | ≥10 <sup>9</sup> Ω                                     |  |
| Transmission features          | Cat6A  | Cat6A  |
| Ambient temperature product    | -30°C...+90°C  | -40°C...+70°C  |
| Contact material               | Metal, CuSn, gold-plated                               | Metal, CuZn, gold-plated                               |
| Contact-carrier material       | Plastic, PA, GN  | Plastic  |
| Grip body material             | Plastic, TPU, BK                                       | Plastic, TPU, BK                                       |
| Receptacle housing material    | Metal, CuZn, nickel-plated                             |  |
| Sealing (female) material      | FPM/FKM  |  |
| Material of external sealing   | NBR  |  |
| Shielding                      | with shielding   | with shielding   |
| Material of shielding housing  |  | Metal, CuZn, nickel-plated                             |
| Standards                      | IEC 61076-2-101/-109                                   | IEC 60603-7-51   |
| Degree of protection (mounted) | IP65, IP67, IP68                                       | IP20   |
| Mechanical life-cycle          | >100 mating cycles                                     | >750 mating cycles                                     |
| Degree of pollution            | 3  | 1  |

|                  |                             |
|------------------|-----------------------------|
| <b>Cable web</b> | <b>Cat7, PUR, UL, S3500</b> |
|------------------|-----------------------------|

Shielded PUR-cable for industrial applications. The cable meets the UL-Style 20963 and the Cat7 (electrical properties according to EN50288-4-2) requirements. Materials and a constructive setup allow for increased mechanical stresses (abrasion, bending, vibrations etc.) of the cable.

|                              |   |
|------------------------------|---|
| Outer diameter of jacket     | 6.40 mm   |
| Cable-jacket material        | PUR   |
| Jacket color                 | GN, similar RAL6018   |
| Wire cross-section           | 4 x 2 x 0.14 mm <sup>2</sup>  |
| Wire insulation material     | PE  |
| Wire colors                  | WH/OG ; WH/GN ; WH/BN ; WH/BU   |
| Wire structure               | 7 x 0.16 mm   |
| Bending radius (fixed)       | 5 x Ø-cable   |
| Bending radius (repeated)    | 10 x Ø-cable  |
| Temperature range (repeated) | -20°C...+60°C   |
| Temperature range (fixed)    | -40°C...+80°C   |
| Shielding                    | Yes   |
| Halogen-free                 | Yes   |
| Transmission features        | Cat7  |
| Rated voltage cable          | 30 V UL rating  |
| Special features             | halogen free, high flexibility, hydrolysis proof, no fire propagation, no corrosive gases, LABS free, microbes resistant, oil resistant, recyclable, RoHS compliant, acid- and alkali resistant, seawater resistant, UV resistant |

|                       |  |
|-----------------------|--|
| <b>Classification</b> |  |
|-----------------------|--|

|            |          |
|------------|----------|
| eCl@ss 6.0 | 27060307 |
| eCl@ss 7.0 | 27060307 |
| eCl@ss 8.0 | 27060307 |
| eCl@ss 9.0 | 27060307 |
| ETIM 5.0   | EC000830 |
| ETIM 6.0   | EC000830 |