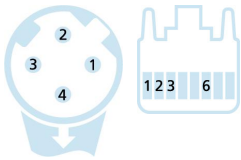
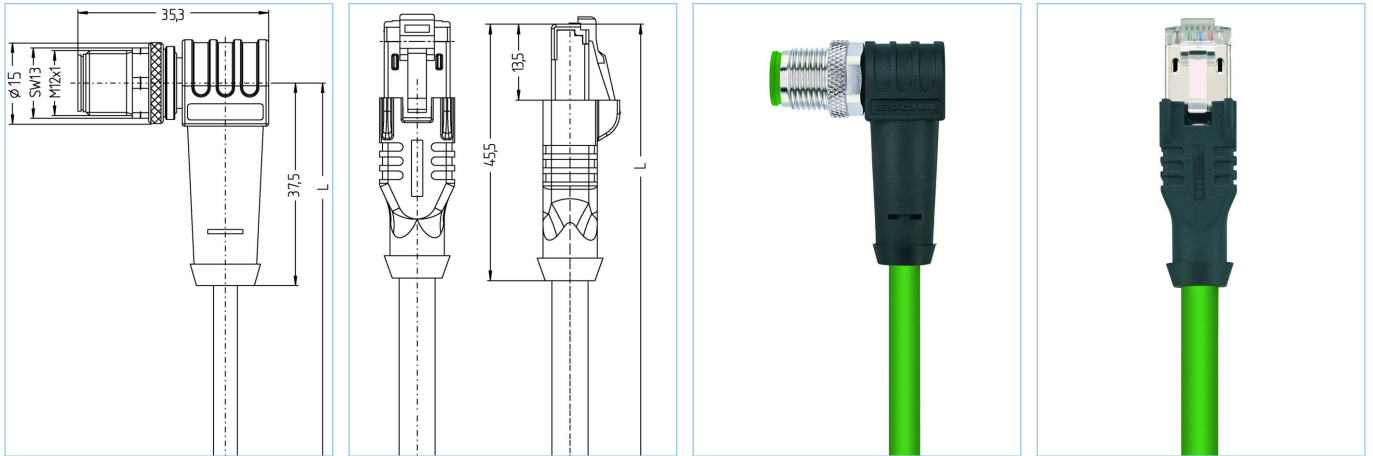


M12, male, angled, 4 poles, D-coded, RJ45, male, straight, 4 poles, shielded, Industrial Ethernet 100 MBit/s



**Product data**

|                    |                                       |
|--------------------|---------------------------------------|
| Item description   | IE-WWASSY4.057-3-IE-RJ45SS4.003/S2171 |
| Item-No.           | 8064365                               |
| Length             | 3m                                    |
| Customs tariff-No. | 85444290                              |
| EAN                | 4047106157517                         |

**Technical data**

|                                | A-side                     | B-side                   |
|--------------------------------|----------------------------|--------------------------|
| Connector                      | male, angled, M12          | male, straight, RJ45     |
| Number of pins                 | 4                          | 4                        |
| Pin assignment                 | 1 WH, 2 YE, 3 BU, 4 OG     | 1 YE, 2 OG, 3 WH, 6 BU   |
| Allocation                     |                            | Industrial               |
| Coding of                      | D                          |                          |
| Rated voltage                  | 250V                       | 60V                      |
| Current load (at 40°C)         | 4A                         | 1A                       |
| Insulation resistance          | ≥10 <sup>8</sup> Ω         | ≥10 <sup>8</sup> Ω       |
| Ambient temperature product    | -30°C...+90°C              | -40°C...+70°C            |
| Contact material               | Metal, CuSn, gold-plated   | Metal, CuZn, gold-plated |
| Contact-carrier material       | Plastic, TPU, GN           | Plastic                  |
| Grip body material             | Plastic, TPU, BK           | Plastic, TPE, BK         |
| Coupling nut material          | Metal, CuZn, nickel-plated |                          |
| Shielding                      | with shielding             | with shielding           |
| Standards                      | IEC 61076-2-101            | IEC 60603-7-5            |
| Degree of protection (mounted) | IP65, IP67, IP68           | IP20                     |
| Mechanical life-cycle          | >100 mating cycles         | >750 mating cycles       |
| Degree of pollution            | 3                          | 1                        |

## Cable web

Cat5e, PUR, UL, S2171, PROFINET

Shielded, PUR-cable for industrial applications. The cable is CMX-verified or meets the Cat5e (electrical properties of EN 50288-2-1) requirements. Materials and a constructive setup allow for increased mechanical stresses (abrasion, bending, vibrations etc.) of the cable. A drag-chain application with up to 3 million bending cycles is possible.

|                              |   |
|------------------------------|---|
| Outer diameter of jacket     | 6.50 mm   |
| Cable-jacket material        | PUR   |
| Jacket color                 | GN, similar RAL6018   |
| Wire cross-section           | 1 x 4 x AWG22, star quad  |
| Wire insulation material     | FRNC  |
| Wire colors                  | WH, BU, OG, YE  |
| Wire structure               | 7 x 0.25 mm   |
| Bending radius (fixed)       | 4 x Ø-cable   |
| Bending radius (repeated)    | 8 x Ø-cable   |
| Temperature range (repeated) | -30°C...+70°C   |
| Temperature range (fixed)    | -40°C...+75°C   |
| Drag chain-application       | 3 Mio. bending cycles   |
| Acceleration Drag chain      | max. 4m/s <sup>2</sup>  |
| Halogen-free                 | Yes   |
| Transmission features        | Cat5e   |
| Rated voltage cable          | 600 V UL rating   |
| Special features             | flame retardant, halogen free, high flexibility, hydrolysis proof, LABS free, microbes resistant, oil resistant, ozone resistant, PROFINET Type C, recyclable, RoHS compliant, acid- and alkali resistant, drag chain-adapted, seawater resistant, UN ECE R 118, UV resistant |
| Geschwindigkeit Schleppkette | max. 4m/s   |

## Accessories

Marking rings Ø 9mm

<https://www.escha.net/en/products/standard/accessories-for-connectivity?p=1&o=3&n=15&f=809>

Unlocking clip for RJ45

<https://www.escha.net/en/products/standard/accessories-for-connectivity?p=1&o=3&n=15&f=807>

Screw cap, M12

<https://www.escha.net/en/products/standard/accessories-for-connectivity?p=1&o=3&n=15&f=811>

Mounting-clip, M12

<https://www.escha.net/en/products/standard/accessories-for-connectivity/8047660>