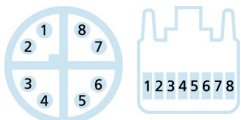
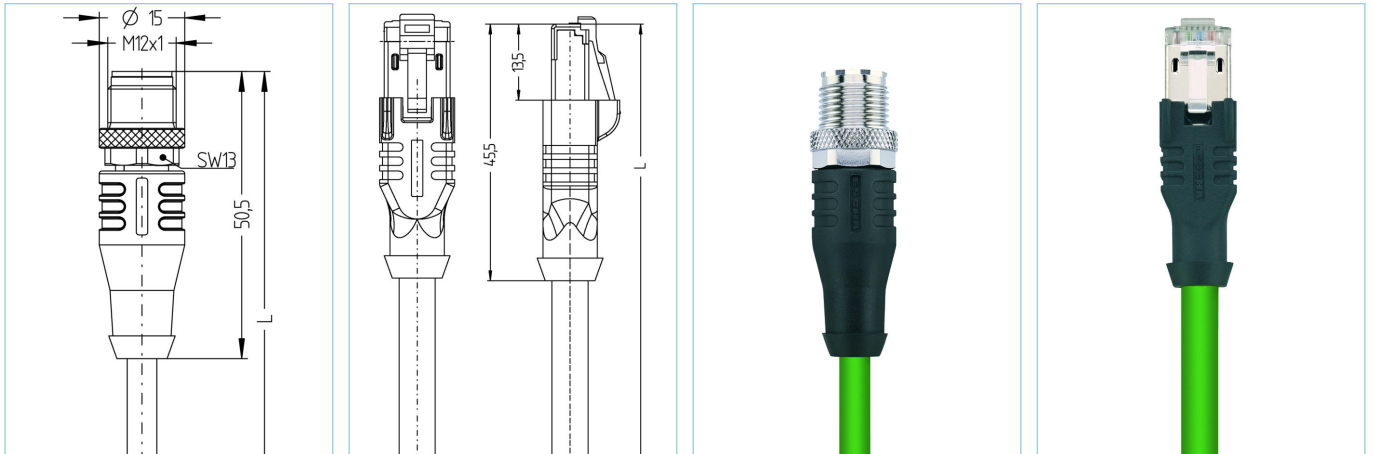


M12, male, straight, 8 poles, X-coded, RJ45, male, straight, 8 poles, shielded, Industrial Ethernet 10 GBit/s



PROFI
NET



Product data

| | |
|--------------------|--------------------------------------|
| Item description | IE-WASSX8.066-4-IE-RJ45SS8.002/S3500 |
| Item-No. | 8063434 |
| Length | 4m |
| Customs tariff-No. | 85444290 |
| Step-File | IE-WASSX8-L-IE-RJ45SS8_S3500.stp |
| EAN | 4047106212087 |

| Technical data | A-side | B-side |
|--------------------------------|--|--|
| Connector | male, straight, M12 | male, straight, RJ45 |
| Number of pins | 8 | 8 |
| Pin assignment | 1 WHOG, 2 OG; 3 WHGN, 4 GN; 5 WHBN, 6 BN; 7 WHBU, 8 BU | 1 WHOG, 2 OG; 3 WHGN, 4 BU; 5 WHBU, 6 GN; 7 WHBN, 8 BN |
| Allocation | | T568B |
| Coding of | X | |
| Rated voltage | 50V _{AC} 60V _{DC} | 60V |
| Current load (at 40°C) | 0.5A | 1A |
| Insulation resistance | ≥10 ⁸ Ω | ≥10 ⁸ Ω |
| Transmission features | Cat6A | Cat6A |
| Ambient temperature product | -30°C...+90°C | -40°C...+70°C |
| Contact material | Metal, CuZn, gold-plated | Metal, CuSn, gold-plated |
| Contact-carrier material | Plastic, PA | Plastic |
| Grip body material | Plastic, TPU, BK | Plastic, TPE, BK |
| Coupling nut material | Metal, CuZn, nickel-plated | |
| Shielding | with shielding | with shielding |
| Material of shielding housing | | Metal, CuZn, nickel-plated |
| Standards | IEC 61076-2-109 | IEC 60603-7-51 |
| Degree of protection (mounted) | IP65, IP67, IP68 | IP20 |
| Mechanical life-cycle | >100 mating cycles | >750 mating cycles |
| Degree of pollution | 2 | 1 |

Advanced technical data UL

| | |
|---------------|----------------------|
| Rated voltage | 30V _{AC/DC} |
| Rated current | 0,5A |

Cable web Cat7, PUR, UL, S3500

Shielded PUR-cable for industrial applications. The cable meets the UL-Style 20963 and the Cat7 (electrical properties according to EN50288-4-2) requirements. Materials and a constructive setup allow for increased mechanical stresses (abrasion, bending, vibrations etc.) of the cable.

| | |
|------------------------------|---|
| Outer diameter of jacket | 6.40 mm |
| Cable-jacket material | PUR |
| Jacket color | GN, similar RAL6018 |
| Wire cross-section | 4 x 2 x 0.14 mm ² |
| Wire insulation material | PE |
| Wire colors | WH/OG ; WH/GN ; WH/BN ; WH/BU |
| Wire structure | 7 x 0.16 mm |
| Bending radius (fixed) | 5 x Ø-cable |
| Bending radius (repeated) | 10 x Ø-cable |
| Temperature range (repeated) | -20°C...+60°C |
| Temperature range (fixed) | -40°C...+80°C |
| Shielding | Yes |
| Halogen-free | Yes |
| Transmission features | Cat7 |
| Rated voltage cable | 30 V UL rating |
| Special features | halogen free, high flexibility, hydrolysis proof, no fire propagation, no corrosive gases, LABS free, microbes resistant, oil resistant, recyclable, RoHS compliant, acid- and alkali resistant, seawater resistant, UV resistant |

Classification

| | |
|------------|----------|
| eCl@ss 6.0 | 27060307 |
| eCl@ss 7.0 | 27060307 |
| eCl@ss 8.0 | 27060307 |
| eCl@ss 9.0 | 27060307 |
| ETIM 5.0 | EC000830 |
| ETIM 6.0 | EC000830 |

Accessories

Unlocking clip for RJ45

<https://www.escha.net/en/products/standard/accessories-for-connectivity?p=1&o=3&n=15&f=807>

Marking rings Ø 9mm

<https://www.escha.net/en/products/standard/accessories-for-connectivity?p=1&o=3&n=15&f=809>

Screw cap, M12

<https://www.escha.net/en/products/standard/accessories-for-connectivity?p=1&o=3&n=15&f=811>