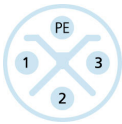
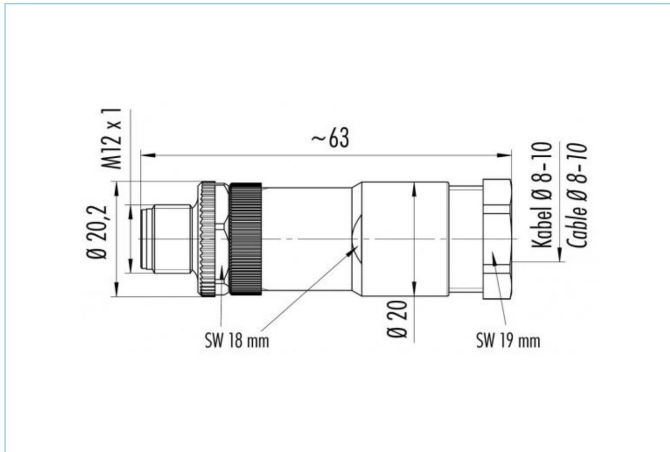


Field-wireable, M12, male, straight, 3+PE, S-coded, screw-/clamp contact, 630V 12A



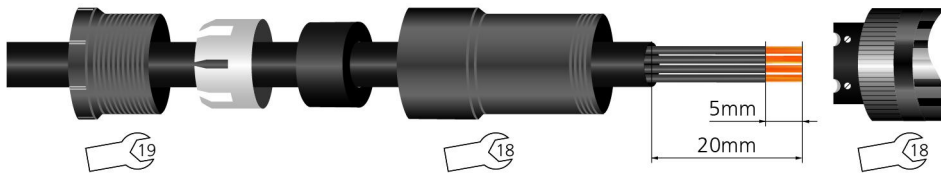
#### Product data

|                    |               |
|--------------------|---------------|
| Item description   | PS-WASC4K     |
| Item-No.           | 8063399       |
| Customs tariff-No. | 85366990      |
| Step-File          | PS-WASC4K.STP |
| EAN                | 4047106149185 |

#### Technical data

|                                |                           |
|--------------------------------|---------------------------|
| Connector                      | male, straight, M12       |
| Number of pins                 | 3+PE                      |
| Coding                         | S                         |
| Rated voltage                  | 630V <sub>AC</sub>        |
| Current load per pin (at 40°C) | 12A                       |
| Insulation resistance          | ≥10 <sup>8</sup> Ω        |
| Resistance                     | ≤ 3mΩ                     |
| Ambient temperature product    | -40°C...+85°C             |
| Contact material               | Metal, CuZn, gold-plated  |
| Contact-carrier material       | Plastic, PA, BK           |
| Grip body material             | Plastic, PA, BK           |
| Connecting cross-section       | max. 1.50 mm <sup>2</sup> |
| Cable outlet                   | 8...10 mm                 |
| Connecting type                | Screw-/clamp contact      |
| Standards                      | IEC 61076-2-111           |
| Degree of protection (mounted) | IP67                      |
| Mechanical life-cycle          | >100 mating cycles        |
| Degree of pollution            | 3                         |
| Style                          | straight                  |

**Manual**



**Classification**

|            |          |
|------------|----------|
| eCl@ss 6.0 | 27260702 |
| eCl@ss 7.0 | 27440102 |
| eCl@ss 8.0 | 27440102 |
| eCl@ss 9.0 | 27440102 |
| ETIM 5.0   | EC002635 |
| ETIM 6.0   | EC002635 |

**Link to product**

<https://www.escha.net/en/products/standard/field-wireable-connectors/8063399>