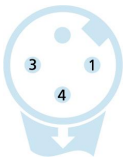
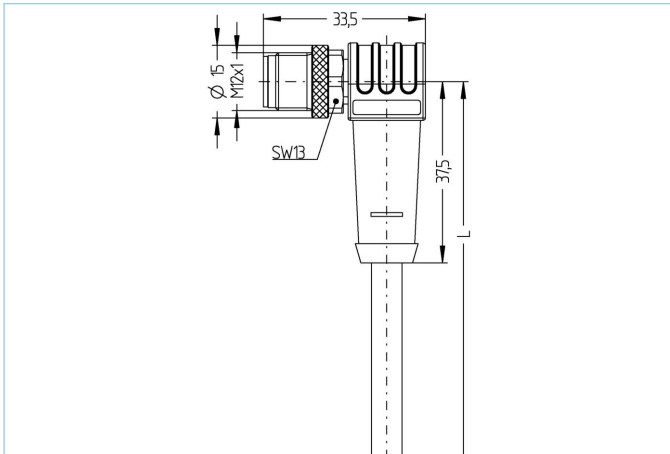


## M12, male, angled, 3 poles, shielded, sensor-/actuator cable



### Product data

|                    |                    |
|--------------------|--------------------|
| Item description   | AL-WWASS3-1,5/S370 |
| Item-No.           | 8062687            |
| Length             | 1.5m               |
| Customs tariff-No. | 85444290           |
| Step-File          | AL-WWASS3.stp      |
| EAN                | 4047106184391      |

### Technical data

|                                |                            |
|--------------------------------|----------------------------|
| Connector                      | male, angled, M12          |
| Number of pins                 | 3                          |
| Pin assignment                 | 1 BN, 3 BU, 4 BK           |
| Coding                         | A                          |
| Rated voltage                  | 250V                       |
| Current load per pin (at 40°C) | 4A                         |
| Insulation resistance          | $\geq 10^9 \Omega$         |
| Resistance                     | $\leq 5 m\Omega$           |
| Ambient temperature product    | -30°C...+90°C              |
| Contact material               | Metal, CuSn, gold-plated   |
| Contact-carrier material       | Plastic, TPU, BK           |
| Grip body material             | Plastic, TPU, BK           |
| Coupling nut material          | Metal, CuZn, nickel-plated |
| Shielding                      | with shielding             |
| Standards                      | IEC 61076-2-101            |
| Degree of protection (mounted) | IP65, IP67, IP68           |
| Mechanical life-cycle          | >100 mating cycles         |
| Cable end assembly             | open cable end             |
| Degree of pollution            | 3                          |
| Style                          | angled                     |

|                  |                      |
|------------------|----------------------|
| <b>Cable web</b> | <b>PUR, UL, S370</b> |
|------------------|----------------------|

Flexible, silicone- and halogen-free control cable with high mechanical strength. The cable is chemicals, hydrolysis-, and microbes-resistant. The drag-chain application is possible at a bending radius of minimum  $10 \times d$ . Due to its weld-field immunity, the cable is very well suited for the flexible application in robotics, machine-tool, and metal-cutting production. The cables meet the UL and CSA (UL10493/20549; cULus) requirements. Very good EMC-features with shielded versions.

|                                |                                                                                                                                                                                                                                                                      |
|--------------------------------|----------------------------------------------------------------------------------------------------------------------------------------------------------------------------------------------------------------------------------------------------------------------|
| Outer diameter of jacket       | 4.80 mm                                                                                                                                                                                                                                                              |
| Cable-jacket material          | PUR                                                                                                                                                                                                                                                                  |
| Jacket color                   | BK, similar RAL9005                                                                                                                                                                                                                                                  |
| Wire cross-section             | 3 x 0.34 mm <sup>2</sup>                                                                                                                                                                                                                                             |
| Wire insulation material       | PP                                                                                                                                                                                                                                                                   |
| Wire colors                    | BN, BU, BK                                                                                                                                                                                                                                                           |
| Wire structure                 | 42 x 0.10 mm                                                                                                                                                                                                                                                         |
| Bending radius (fixed)         | 5 x Ø-cable                                                                                                                                                                                                                                                          |
| Bending radius (repeated)      | 12 x Ø-cable                                                                                                                                                                                                                                                         |
| Temperature range (repeated)   | -30°C...+90°C                                                                                                                                                                                                                                                        |
| Temperature range (fixed)      | -40°C...+90°C                                                                                                                                                                                                                                                        |
| Temperature range (drag chain) | -25°C...+60°C                                                                                                                                                                                                                                                        |
| Drag chain-application         | 5 Mio. cycles                                                                                                                                                                                                                                                        |
| Shielding                      | Yes                                                                                                                                                                                                                                                                  |
| Halogen-free                   | Yes                                                                                                                                                                                                                                                                  |
| Torsion                        | +/-360°/m, ≥ 2 Mio. cycles                                                                                                                                                                                                                                           |
| Rated voltage cable            | ≤300 V                                                                                                                                                                                                                                                               |
| Special features               | flame retardant, halogen free, hydrolysis proof, LABS free, oil resistant, ozone resistant, recyclable, RoHs compliant, acid- and alkali resistant, drag chain-adapted, welding sparks resistant, seawater resistant, silicone free, torsion resistant, UV resistant |

|                       |  |
|-----------------------|--|
| <b>Classification</b> |  |
|-----------------------|--|

|            |          |
|------------|----------|
| eCl@ss 6.0 | 27279218 |
| eCl@ss 7.0 | 27279218 |
| eCl@ss 8.0 | 27279218 |
| eCl@ss 9.0 | 27060311 |
| ETIM 5.0   | EC001855 |
| ETIM 6.0   | EC001855 |

|                    |  |
|--------------------|--|
| <b>Accessories</b> |  |
|--------------------|--|

|                                                                                                                                                                                                                                                    |  |
|----------------------------------------------------------------------------------------------------------------------------------------------------------------------------------------------------------------------------------------------------|--|
| Mounting-clip, M12<br><a href="https://www.escha.net/en/products/standard/accessories-for-connectivity/8047660">https://www.escha.net/en/products/standard/accessories-for-connectivity/8047660</a>                                                |  |
| Torque-wrench set<br><a href="https://www.escha.net/en/products/standard/accessories-for-connectivity/8055431">https://www.escha.net/en/products/standard/accessories-for-connectivity/8055431</a>                                                 |  |
| Marking rings Ø 9mm<br><a href="https://www.escha.net/en/products/standard/accessories-for-connectivity?p=1&amp;o=3&amp;n=15&amp;f=809">https://www.escha.net/en/products/standard/accessories-for-connectivity?p=1&amp;o=3&amp;n=15&amp;f=809</a> |  |
| Screw cap, M12<br><a href="https://www.escha.net/en/products/standard/accessories-for-connectivity?p=1&amp;o=3&amp;n=15&amp;f=811">https://www.escha.net/en/products/standard/accessories-for-connectivity?p=1&amp;o=3&amp;n=15&amp;f=811</a>      |  |
| Cable Stripping Tool<br><a href="https://www.escha.net/en/products/standard/accessories-for-connectivity/8066215">https://www.escha.net/en/products/standard/accessories-for-connectivity/8066215</a>                                              |  |
| Cable Stripping Tool<br><a href="https://www.escha.net/en/products/standard/accessories-for-connectivity/8066216">https://www.escha.net/en/products/standard/accessories-for-connectivity/8066216</a>                                              |  |