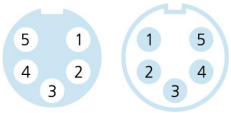
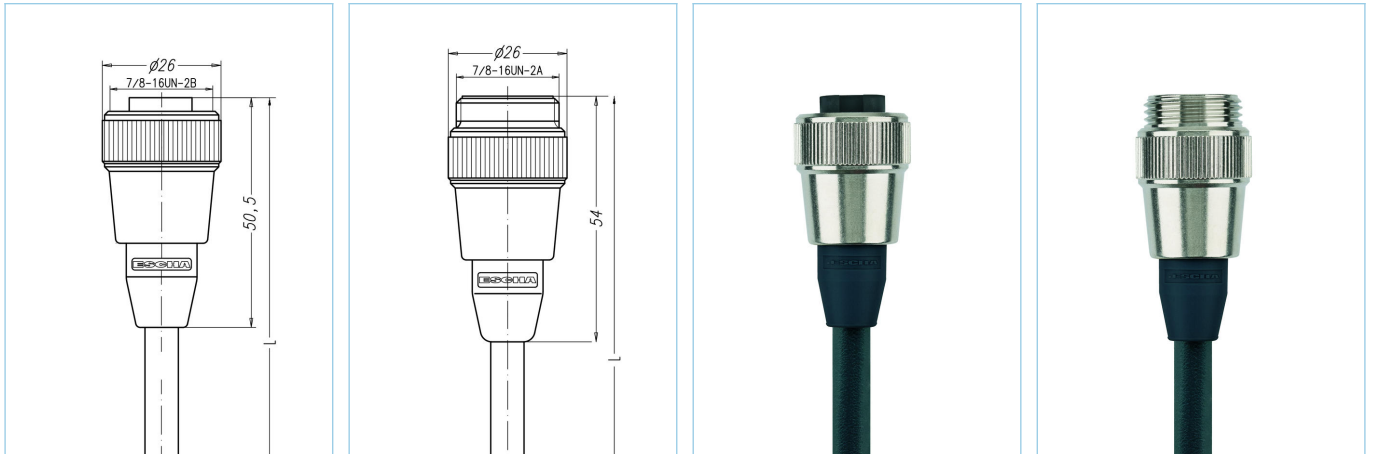


7/8", female, straight, 5 poles, 7/8", male, straight, 5 poles



**Product data**

|                    |                             |
|--------------------|-----------------------------|
| Item description   | WAKM50-10-WASM50/S370/S3917 |
| Item-No.           | 8057417                     |
| Length             | 10m                         |
| Customs tariff-No. | 85444290                    |
| EAN                | 4047106223786               |

**Technical data**

|                                | A-side                         | B-side                         |
|--------------------------------|--------------------------------|--------------------------------|
| Connector                      | female, straight, 7/8"         | male, straight, 7/8"           |
| Number of pins                 | 5                              | 5                              |
| Pin assignment                 | 1 BK, 2 BU, 3 GNYE, 4 BN, 5 WH | 1 BK, 2 BU, 3 GNYE, 4 BN, 5 WH |
| Coding of                      | A                              | A                              |
| Rated voltage                  | 250V                           | 250V                           |
| Current load (at 40°C)         | 10A                            | 10A                            |
| Insulation resistance          | $\geq 10^9 \Omega$             | $\geq 10^9 \Omega$             |
| Resistance                     | $\leq 5 m\Omega$               | $\leq 5 m\Omega$               |
| Ambient temperature product    | -30°C...+90°C                  | -30°C...+90°C                  |
| Contact material               | Metal, CuSn, gold-plated       | Metal, CuSn, gold-plated       |
| Contact-carrier material       | Plastic, TPU, BK               | Plastic, TPU, BK               |
| Grip body material             | Plastic, TPU, transparent      | Plastic, TPU, BK               |
| Coupling nut material          | Metal, CuZn, nickel-plated     | Metal, CuZn, nickel-plated     |
| Degree of protection (mounted) | IP65, IP67, IP68               | IP65, IP67, IP68               |
| Mechanical life-cycle          | >100 mating cycles             | >100 mating cycles             |
| Degree of pollution            | 3                              | 3                              |

|                  |                      |
|------------------|----------------------|
| <b>Cable web</b> | <b>PUR, UL, S370</b> |
|------------------|----------------------|

Flexible, silicone- and halogen-free control line with high mechanical strength. The cable is chemicals, hydrolysis-, and microbes- resistant. The drag-chain application is possible at a bending radius of minimum 10 x d. Due to its weld-field immunity, the cable is very well suited for the flexible application in robotics, machine-tool, and metal-cutting production. The cables meet the UL and CSA (UL10493/20549; cULus) requirements.

|                                |  |
|--------------------------------|--|
| Outer diameter of jacket       | 8.5 mm   |
| Cable-jacket material          | PUR  |
| Jacket color                   | BK, similar RAL9005  |
| Wire cross-section             | 5 x 1.5 mm <sup>2</sup>  |
| Wire insulation material       | PP   |
| Wire colors                    | BN, WH, BU, BK, GNYE   |
| Wire structure                 | 84 x 0,15 mm   |
| Bending radius (fixed)         | 5 x Ø-cable  |
| Bending radius (repeated)      | 10 x Ø-cable   |
| Temperature range (repeated)   | -30°C...+90°C  |
| Temperature range (fixed)      | -40°C...+90°C  |
| Temperature range (drag chain) | -25°C...+60°C  |
| Drag chain-application         | ≥1 Mio. cycles   |
| Halogen-free                   | Yes  |
| Torsion                        | +/-180°/m, ≥ 0.1 Mio. cycles   |
| Rated voltage cable            | ≤300 V   |
| Special features               | flame retardant, halogen free, hydrolysis proof, LABS free, oil resistant, ozone resistant, recyclable, RoHs compliant, acid- and alkali resistant, drag chain-adapted, welding sparks resistant, seawater resistant, silicone free, torsion resistant, UV resistant |

|                       |  |
|-----------------------|--|
| <b>Classification</b> |  |
|-----------------------|--|

|            |          |
|------------|----------|
| eCl@ss 6.0 | 27279218 |
| eCl@ss 7.0 | 27279218 |
| eCl@ss 8.0 | 27279218 |
| eCl@ss 9.0 | 27060311 |
| ETIM 5.0   | EC001855 |
| ETIM 6.0   | EC001855 |