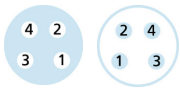
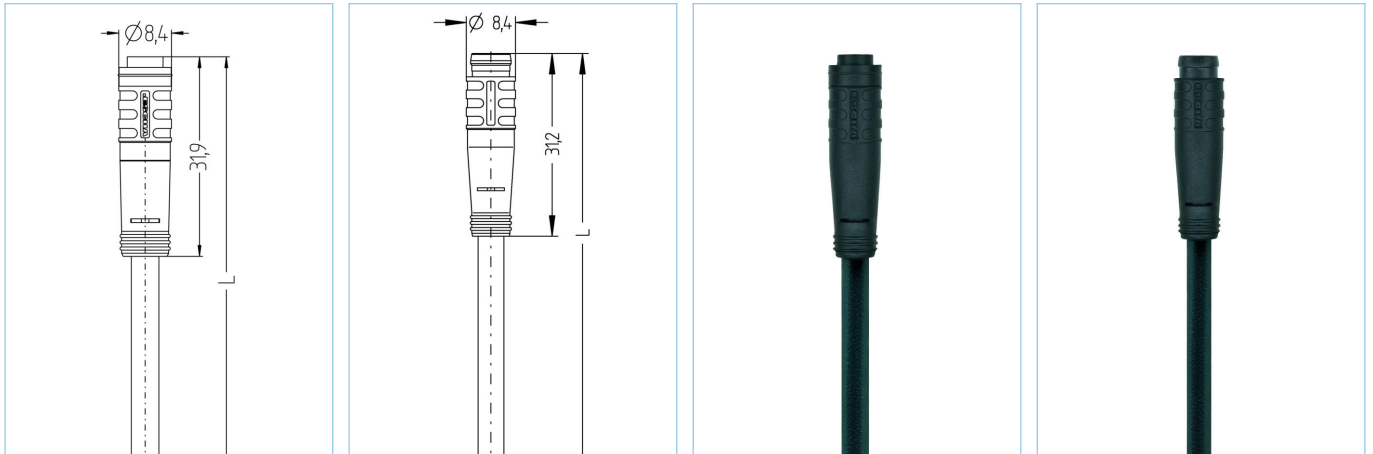


Ø8mm snap, female, straight, 4 poles, Ø8mm snap, male, straight, 4 poles, sensor-/actuator cable



| Product data | |
|--------------------|-----------------------|
| Item description | AL-KP4-10-AL-SP4/S370 |
| Item-No. | 8057347 |
| Length | 10m |
| Customs tariff-No. | 85444290 |
| Step-File | AL-KP4-L-AL-SP4.stp |
| EAN | 4047106197223 |

| Technical data | A-side | B-side |
|--------------------------------|-----------------------------|----------------------------|
| Connector | female, straight, Ø8mm snap | male, straight, Ø 8mm snap |
| Number of pins | 4 | 4 |
| Pin assignment | 1 BN, 2 WH, 3 BU, 4 BK | 1 BN, 2WH, 3 BU, 4 BK |
| Rated voltage | 60V | 60V |
| Current load (at 40°C) | 4A | 4A |
| Insulation resistance | $\geq 10^9 \Omega$ | $\geq 10^9 \Omega$ |
| Resistance | $\leq 5 m\Omega$ | $\leq 5 m\Omega$ |
| Ambient temperature product | -30°C...+90°C | -30°C...+90°C |
| Contact material | Metal, CuSn, gold-plated | Metal, CuSn, gold-plated |
| Contact-carrier material | Plastic, TPU, BK | Plastic, TPU, BK |
| Grip body material | Plastic, TPU, BK | Plastic, TPU, BK |
| Sealing (female) material | FPM/FKM | |
| Standards | IEC 61076-2-104 | IEC 61076-2-104 |
| Degree of protection (mounted) | IP65, IP67, IP68 | IP65, IP67, IP68 |
| Mechanical life-cycle | >100 mating cycles | >100 mating cycles |
| Degree of pollution | 3 | 3 |

| | |
|------------------|----------------------|
| Cable web | PUR, UL, S370 |
|------------------|----------------------|

Flexible, silicone- and halogen-free control line with high mechanical strength. The cable is chemicals, hydrolysis-, and microbes- resistant. The drag-chain application is possible at a bending radius of minimum 10 x d. Due to its weld-field immunity, the cable is very well suited for the flexible application in robotics, machine-tool, and metal-cutting production. The cables meet the UL and CSA (UL10493/20549; cULus) requirements.

| | |
|--------------------------------|----------------------------------------------------------------------------------------------------------------------------------------------------------------------------------------------------------------------------------------------------------------------|
| Outer diameter of jacket | 4.30mm |
| Cable-jacket material | PUR |
| Jacket color | BK, similar RAL9005 |
| Wire cross-section | 4 x 0.25 mm ² |
| Wire insulation material | PP |
| Wire colors | BN, WH, BU, BK |
| Wire structure | 32 x 0.10 mm |
| Bending radius (fixed) | 5 x Ø-cable |
| Bending radius (repeated) | 10 x Ø-cable |
| Temperature range (repeated) | -30°C...+90°C |
| Temperature range (fixed) | -40°C...+90°C |
| Temperature range (drag chain) | -25°C...+60°C |
| Drag chain-application | 5 Mio. cycles |
| Halogen-free | Yes |
| Torsion | +/-360°/m, ≥ 2 Mio. cycles |
| Rated voltage cable | ≤300 V |
| Special features | flame retardant, halogen free, hydrolysis proof, LABS free, oil resistant, ozone resistant, recyclable, RoHs compliant, acid- and alkali resistant, drag chain-adapted, welding sparks resistant, seawater resistant, silicone free, torsion resistant, UV resistant |

| | |
|-----------------------|--|
| Classification | |
|-----------------------|--|

| | |
|------------|----------|
| eCl@ss 6.0 | 27279218 |
| eCl@ss 7.0 | 27279218 |
| eCl@ss 8.0 | 27279218 |
| eCl@ss 9.0 | 27060311 |
| ETIM 5.0 | EC001855 |
| ETIM 6.0 | EC001855 |

| |
|--------------------|
| Accessories |
|--------------------|

Mounting-clip, M12
<https://www.escha.net/en/products/standard/accessories-for-connectivity/8047660>

Marking rings Ø 9mm
<https://www.escha.net/en/products/standard/accessories-for-connectivity?p=1&o=3&n=15&f=809>