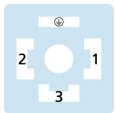
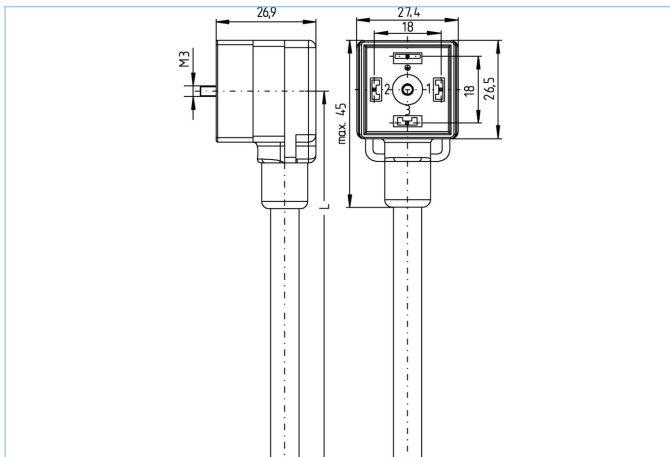


## Valve connector, housing style A, 2+PE, sensor-/actuator cable



1 — BN

2 — BU

⊕ — GN/YE



### Product data

|                    |                    |
|--------------------|--------------------|
| Item description   | VA21-230.0-1,5/P00 |
| Item-No.           | 8056918            |
| Length             | 1.5m               |
| Customs tariff-No. | 85444290           |
| Step-File          | VA21-230_0.stp     |
| EAN                | 4047106222123      |

### Technical data

|                                |                              |
|--------------------------------|------------------------------|
| Connector                      | female, angled, Valve A      |
| Number of pins                 | 2+PE                         |
| Pin assignment                 | 1 BN, 2 BU, 3 n.c., PE: GNYE |
| Rated voltage                  | 230V <sub>AC/DC</sub>        |
| Current load per pin (at 40°C) | 10A                          |
| Insulation resistance          | ≥10 <sup>8</sup> Ω           |
| Ambient temperature product    | -30°C...+90°C                |
| Contact material               | Metal, CuZn, silver-plated   |
| Contact-carrier material       | Plastic, PA, BK              |
| Grip body material             | Plastic, TPU, BK             |
| Sealing (female) material      | Plastic, TPU                 |
| Protection circuit             | without                      |
| Fixing screw                   | Metal, CuZn, nickel-plated   |
| Housing style                  | A                            |
| Standards                      | DIN EN 175301-803            |
| Degree of protection (mounted) | IP65, IP67, IP68             |
| Mechanical life-cycle          | >100 mating cycles           |
| Degree of pollution            | 3                            |
| Style                          | angled                       |

**Cable web** PVC, P00, GY

PVC-cable for measurement and control-, and sensor technology. Suitable for applications in dry areas on packaging machines, assembly- and conveyor technology. High flexibility with unstressed movement (conditional drag-chain application possible). Predestined for applications in food- and beverage industry.

|                              |  |
|------------------------------|--|
| Outer diameter of jacket     | 6.2 +/- 0.1 mm   |
| Cable-jacket material        | PVC  |
| Jacket color                 | GY, similar RAL7040  |
| Wire cross-section           | 3 x 0.75 mm <sup>2</sup>   |
| Wire insulation material     | PVC  |
| Wire colors                  | BN, BU, GNYE   |
| Wire structure               | 24 x 0,20 mm   |
| Bending radius (fixed)       | 5xØ-cable  |
| Bending radius (repeated)    | 10 x Ø-cable   |
| Temperature range (repeated) | 0°C...+80°C  |
| Temperature range (fixed)    | -25°C...+80°C  |
| Rated voltage cable          | 240 V  |
| Special features             | good resistance against oils and chemicals, LABS free, ozone resistant, recyclable, RoHs compliant, acid- and alkali resistant, seawater resistant, UV resistant |

**Classification**

|            |          |
|------------|----------|
| eCl@ss 6.0 | 27279218 |
| eCl@ss 7.0 | 27279218 |
| eCl@ss 8.0 | 27279218 |
| eCl@ss 9.0 | 27060312 |
| ETIM 5.0   | EC001855 |
| ETIM 6.0   | EC001855 |

**Accessories**

Labels, Valve connector

<https://www.escha.net/en/products/standard/accessories-for-connectivity/8047110>

Fixing screw

<https://www.escha.net/en/products/standard/accessories-for-connectivity/8060907>