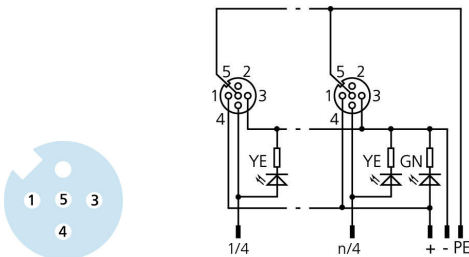
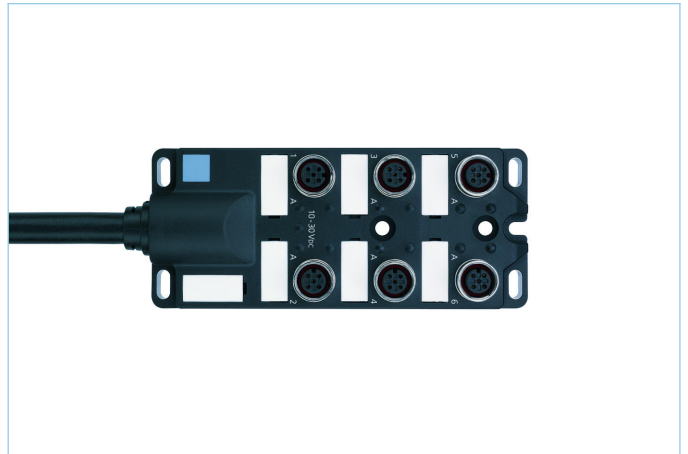
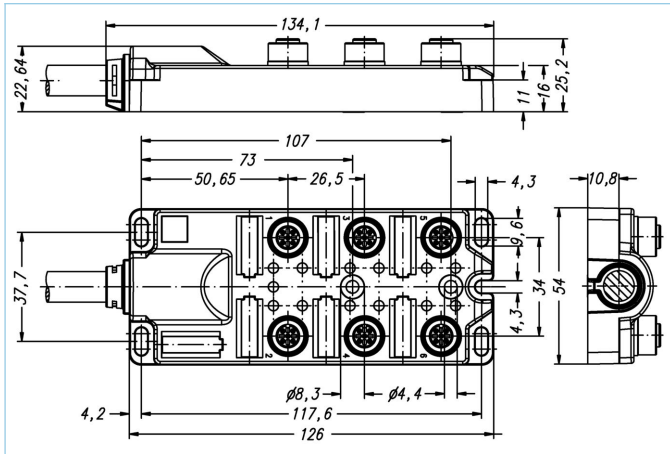


I/O-junctions passive, 6 ports, fixed cable connection, M12, female, 3+PE



**Product data**

|                    |                             |
|--------------------|-----------------------------|
| Item description   | 6I/OM12-5-4P2C-5/S370       |
| Item-No.           | 8052027                     |
| Length             | 5m                          |
| Customs tariff-No. | 85444290                    |
| Step-File          | 6I_OM12-5_4P2C-m.stp        |
| EAN                | 4047106094867               |
| Remark             | Labels (white) not included |

**Technical data**

|                                |                          |
|--------------------------------|--------------------------|
| I/O-junction                   | 6-way, with cable        |
| I/O-slot                       | female, M12              |
| Number of pins                 | 3+PE                     |
| Rated voltage                  | 30V                      |
| Current load per pin (at 40°C) | 2A                       |
| Total current load             | 12A                      |
| Insulation resistance          | ≥10 <sup>9</sup> Ω       |
| Resistance                     | ≤ 5mΩ                    |
| Ambient temperature product    | -30°C...+90°C            |
| Number of LEDs                 | 7                        |
| Number of I/O-slots            | 6                        |
| Circuit logic                  | pnp                      |
| Signal status-indicator        | LED YE                   |
| Operating voltage-indicator    | LED GN                   |
| Contact material               | Metal, CuZn, gold-plated |
| Contact-carrier material       | Plastic, PA, BK          |
| Sealing (female) material      | FPM/FKM                  |
| Housing material               | Plastic, PA, BK          |

|                                |                        |
|--------------------------------|------------------------|
| Thread insert material         | Metal, CuZn            |
| Connecting type                | Fixed cable connection |
| Standards                      | IEC 61076-2-101        |
| Degree of protection (mounted) | IP65, IP67             |
| Mechanical life-cycle          | >100 mating cycles     |
| Degree of pollution            | 3                      |

|                  |                      |
|------------------|----------------------|
| <b>Cable web</b> | <b>PUR, UL, S370</b> |
|------------------|----------------------|

Flexible, silicone- and halogen-free control line with high mechanical strength. The cable is chemicals, hydrolysis-, and microbes- resistant. The drag-chain application is possible at a bending radius of minimum 10 x d. Due to its weld-field immunity, the cable is very well suited for the flexible application in robotics, machine-tool, and metal-cutting production. The cables meet the UL and CSA (UL10493/20549; cULus) requirements.

|                              |  |
|------------------------------|--|
| Outer diameter of jacket     | 8.2 mm   |
| Cable-jacket material        | PUR  |
| Jacket color                 | BK, similar RAL9005  |
| Wire cross-section           | 8 x 0.34 mm <sup>2</sup> + 3 x 1 mm <sup>2</sup>                             |
| Wire insulation material     | PP   |
| Wire colors                  | WH, BK, GN, YE, GY, PK, VT, RD, BN, BU, GNYE                                 |
| Bending radius (repeated)    | min. 10 x Ø-cable  |
| Temperature range (repeated) | -5°C...+80°C   |
| Temperature range (fixed)    | -40°C...+80°C  |
| Drag chain-application       | 2 Mio. cycles  |
| Halogen-free                 | Yes  |
| Special features             | flame retardant, halogen free, LABS free, RoHs compliant, drag chain-adapted |

#### Allocation chart

| I/O   | 1  | 2  | 3  | 4  | 5  | 6  | all (+) | all (-) | all (-) | all (FE) |
|-------|----|----|----|----|----|----|---------|---------|---------|----------|
| Pin   | 4  | 4  | 4  | 4  | 4  | 4  | 1       | 3       | 3       | 5        |
| Cable | WH | GN | YE | GY | PK | RD | BN      |         | BU      | GNYE     |

#### Classification

|            |          |
|------------|----------|
| eCl@ss 6.0 | 27279219 |
| eCl@ss 7.0 | 27279219 |
| eCl@ss 8.0 | 27279219 |
| eCl@ss 9.0 | 27440108 |
| ETIM 5.0   | EC002585 |
| ETIM 6.0   | EC002585 |

#### Accessories

Screw plug, M12

<https://www.escha.net/en/products/standard/accessories-for-connectivity/8081767>

Labels, I/O-junction passive, I/O-junction active

<https://www.escha.net/en/products/standard/accessories-for-connectivity/8015002>

Accessories set, I/O-junction passive, M12

<https://www.escha.net/en/products/standard/accessories-for-connectivity/8087215>