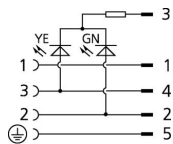
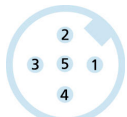
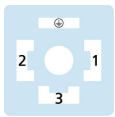
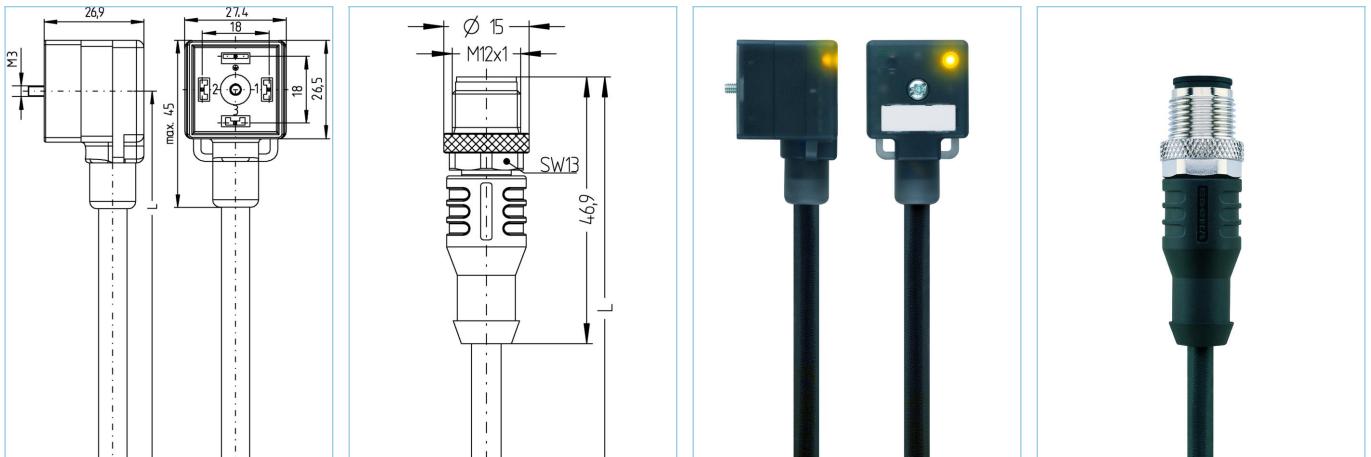


Valve connector, housing style A, 3+PE, M12, male, straight, 4+PE, wire contact



Product data

| | |
|--------------------|---------------------------------|
| Item description | VA41-24.2-1,5-AL-WAS5/S320/S370 |
| Item-No. | 8049874 |
| Length | 1.5m |
| Customs tariff-No. | 85444290 |
| EAN | 4047106176822 |

| Technical data | A-side | B-side |
|--------------------------------|-------------------------------|---------------------------------|
| Connector | female, angled, Valve A | male, straight, M12 |
| Number of pins | 3+PE wire | 4+PE |
| Pin assignment | 1 BN, 2 WH, 3 BK | 1 BN, 2 WH, 3 BU, 4 BK, 5 GN/YE |
| Coding of | | A |
| Rated voltage | 30V _{AC/DC} | 60V |
| Current load (at 40°C) | 4A | 4A |
| Insulation resistance | ≥10 ⁹ Ω | ≥10 ⁹ Ω |
| Ambient temperature product | -30°C...+90°C | -30°C...+90°C |
| Contact material | Metal, CuZn, silver-plated | Metal, CuSn, gold-plated |
| Contact-carrier material | Plastic, PA, BK | Plastic, TPU, BK |
| Grip body material | Plastic, TPU, BK, translucent | Plastic, TPU, BK |
| Coupling nut material | | Metal, CuZn, nickel-plated |
| Sealing (female) material | Plastic, TPU | |
| Signal status-indicator | LED YE/GN | |
| Protection circuit | without | |
| Fixing screw | Metal, CuZn, nickel-plated | |
| Housing style | A | |
| Standards | DIN EN 175301-803 | IEC 61076-2-101 |
| Degree of protection (mounted) | IP65, IP67, IP68 | IP65, IP67, IP68 |
| Mechanical life-cycle | >100 mating cycles | >100 mating cycles |
| Degree of pollution | 3 | 3 |

Cable web PUR, UL, S370

Flexible, silicone- and halogen-free control line with high mechanical strength. The cable is chemicals, hydrolysis-, and microbes- resistant. The drag-chain application is possible at a bending radius of minimum 10 x d. Due to its weld-field immunity, the cable is very well suited for the flexible application in robotics, machine-tool, and metal-cutting production. The cables meet the UL and CSA (UL10493/20549; cULus) requirements.

| | |
|--------------------------------|--|
| Outer diameter of jacket | 5.20 mm |
| Cable-jacket material | PUR |
| Jacket color | BK, similar RAL9005 |
| Wire cross-section | 5 x 0.34 mm ² |
| Wire insulation material | PP |
| Wire colors | BN, WH, BU, BK, GNYE |
| Wire structure | 42 x 0.10 mm |
| Bending radius (fixed) | 5 x Ø-cable |
| Bending radius (repeated) | 10 x Ø-cable |
| Temperature range (repeated) | -30°C...+90°C |
| Temperature range (fixed) | -40°C...+90°C |
| Temperature range (drag chain) | -25°C...+60°C |
| Drag chain-application | 3 Mio. cycles |
| Halogen-free | Yes |
| Torsion | +/-180°/m, < 1 Mio. cycles |
| Rated voltage cable | ≤300 V |
| Special features | flame retardant, halogen free, hydrolysis proof, LABS free, oil resistant, ozone resistant, recyclable, RoHs compliant, acid- and alkali resistant, drag chain-adapted, welding sparks resistant, seawater resistant, silicone free, torsion resistant, UV resistant |

Accessories

Labels, Valve connector

<https://www.escha.net/en/products/standard/accessories-for-connectivity/8047109>