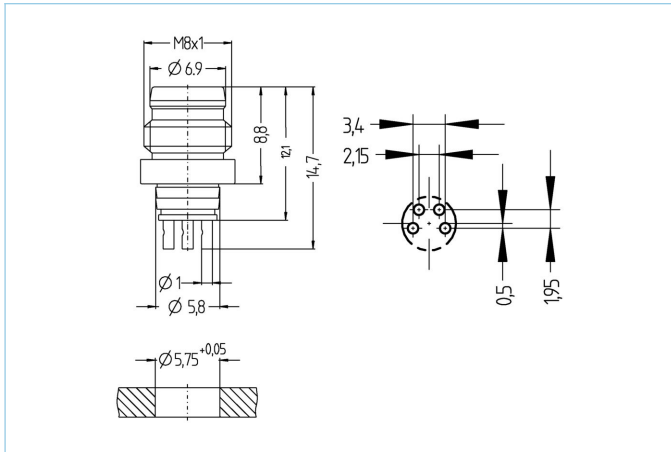


Panel connector, M8, male, straight, 4 poles, soldering contact



Product data

Item description	SESP4SL
Item-No.	8037479
Customs tariff-No.	85366990
Step-File	SESP4SL.stp
EAN	4047106001131

Technical data

Connector	male, straight, M8/Ø8mm snap
Number of pins	4
Rated voltage	60V
Current load per pin (at 40°C)	4A
Insulation resistance	≥108Ω
Ambient temperature product	-30°C...+90°C
Contact material	Metal, CuZn, gold-plated
Contact-carrier material	Plastic, PA, BK
Connecting type	Soldering contact
Standards	IEC 61076-2-104
Degree of protection (mounted)	IP65, IP67
Mechanical life-cycle	>100 mating cycles
Degree of pollution	3/2
Style	straight

Classification

eCl@ss 6.0	27279220
eCl@ss 7.0	27440103
eCl@ss 8.0	27440103
eCl@ss 9.0	27440103
ETIM 5.0	EC002061
ETIM 6.0	EC002061

Link to product

<https://www.escha.net/en/products/standard/receptacles/8037479>