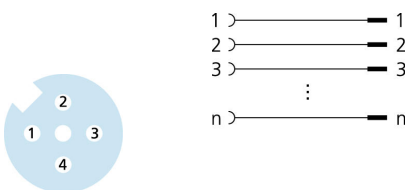
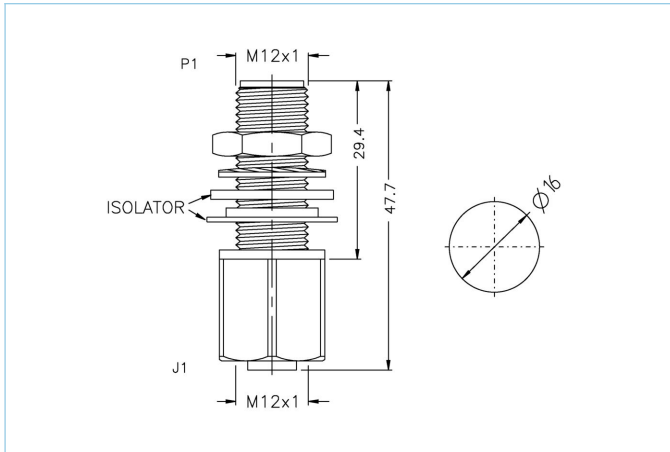


Panel feed through, M12, female, straight, 4 poles, M12, male, straight, 4 poles



Product data		
Item description	FKFS4/M12	
Item-No.	8018404	
Customs tariff-No.	85366990	
Packaging unit	1	
Step-File	FKFS4_M12.stp	
EAN	4047106060534	
Technical data	A-side	B-side
Connector	female, straight, M12	male, straight, M12
Number of pins	4	4
Coding of	A	A
Rated voltage	150V	150V
Current load (at 40°C)	4A	4A
Insulation resistance	$\geq 10^9 \Omega$	$\geq 10^9 \Omega$
Ambient temperature product	-40°C...+80°C	-40°C...+80°C
Contact material	Metal, CuZn, gold-plated	Metal, CuZn, gold-plated
Contact-carrier material	Plastic, TPU, BK	Plastic, TPU, BK
Standards	IEC 61076-2-101	IEC 61076-2-101
Degree of protection (mounted)	IP67	IP67
Mechanical life-cycle	>100 mating cycles	>100 mating cycles
Degree of pollution	3	3
Classification		
eCl@ss 6.0	27279201	
eCl@ss 7.0	27279201	
eCl@ss 8.0	27279201	
eCl@ss 9.0	27440106	
ETIM 5.0	EC002062	
ETIM 6.0	EC002925	

Link to product

<https://www.escha.net/en/products/standard/receptacles/8018404>